

## **MOTO GUZZI WOULD LIKE TO THANK YOU**

for choosing one of its products. We have compiled this booklet to provide a comprehensive overview of your vehicle's quality features. Please read it carefully before riding the vehicle for the first time. It contains information, tips and precautions for using your vehicle. It also describes features, details and devices to assure you that you have made the right choice. We believe that if you follow our suggestions, you will soon get to know your new vehicle well and that it will continue to give you satisfactory service for many years to come. This booklet forms an integral part of the vehicle; should the vehicle be sold, it must be transferred to the new owner.

# **MGX-21**



The instructions in this manual have been prepared to offer mainly a simple and clear guide to its use; it also describes routine maintenance procedures and regular checks that should be carried out on the vehicle at an **authorised Moto Guzzi Dealer or Workshop**, The booklet also contains instructions for simple repairs. Any operations not specifically described in this booklet require the use of special tools and/or particular technical knowledge; for these operations, please take your vehicle to an **authorised Moto Guzzi Dealer or Workshop**.



### **Personal safety**

Failure to completely observe these instructions will result in serious risk of personal injury.



### **Safeguarding the environment**

Sections marked with this symbol indicate the correct use of the vehicle to prevent damaging the environment.



### **Vehicle intactness**

The incomplete or non-observance of these regulations leads to the risk of serious damage to the vehicle and sometimes even the invalidity of the guarantee

*The symbols illustrated above are very important. They are used to highlight parts of the booklet that should be read with particular care. The different symbols are used to make each topic in the manual simple and quick to locate. Before starting the engine, read this booklet thoroughly and the "SAFE RIDING" section in particular. Your safety as well as other's does not only depend on the quickness of your reflexes and agility, but also on how well you know your vehicle, the state of maintenance of the vehicle itself and your knowledge of the rules for SAFE RIDING. For your safety, get to know your vehicle well so as to safely ride and master it in road traffic IMPORTANT This booklet is an integral part of the vehicle, and must be handed to the new owner in the event of sale.*



# INDEX

**GENERAL RULES**..... 7

- Carbon monoxide..... 8
- Fuel..... 8
- Hot components..... 9
- Warning lights..... 9
- Used engine oil and gearbox oil..... 10
- Brake and clutch fluid..... 11
- Battery hydrogen gas and electrolyte..... 11
- Reporting of defects that affect safety..... 12

**VEHICLE**..... 13

- Arrangement of the main components..... 15
- Dashboard..... 17
- Instrument panel..... 19
- Light unit..... 21
- Digital lcd display..... 22
  - Alarms..... 27
  - Mapping selection..... 29
  - Control buttons..... 31
  - Advanced functions..... 32
  - Ignition switch..... 39
  - Locking the steering wheel..... 40
  - Parking lights..... 41
- Horn button..... 41
- Switch direction indicators..... 42
- High/low beam selector..... 43
- Passing button..... 43
- Daytime/night lights switch..... 44
- Flasher button..... 44
- Start-up button..... 45
- Engine stop switch..... 45
- Button Cruise Control..... 46
- System ABS..... 48
- Glove-box..... 51

- Opening the saddle..... 51
- USB Port..... 52
- Identification..... 52

**USE**..... 55

- Checks..... 56
- Refuelling..... 58
- Rear shock absorbers adjustment..... 60
- Check front fork..... 60
- Justering af greb til forbremse..... 61
- Rear brake pedal adjustment..... 61
- Clutch lever adjustment..... 61
- Running in..... 62
- Starting up the engine..... 63
- Moving off / riding..... 64
- Stopping the engine..... 68
- Parking..... 69
- Catalytic silencer..... 69
- Stand..... 71
- Suggestion to prevent theft..... 72
- Safe driving..... 73
- Basic safety rules..... 75

**MAINTENANCE**..... 79

- Foreword..... 80
  - Engine oil level check..... 80
  - Engine oil top-up..... 81
  - Engine oil change..... 82
  - Engine oil filter replacement..... 82
  - Bevel gear pair oil level..... 83
- Gearbox oil level..... 83
- Tyres..... 83
- Spark plug dismantlement..... 86
- Removing the air filter..... 86
- Checking the brake oil level..... 86

Braking system fluid top up.....	87
Checking clutch fluid.....	88
Topping up clutch fluid.....	88
Use of a new battery.....	88
Checking the electrolyte level.....	89
Charging the battery.....	90
Long periods of inactivity.....	90
Fuses.....	91
Lamps.....	93
Headlight adjustment.....	95
Front direction indicators.....	96
Rear optical unit.....	97
Rear turn indicators.....	98
Number plate light.....	98
Rear-view mirrors.....	98
Front and rear disc brake.....	99
Periods of inactivity.....	101
Cleaning the vehicle.....	103
Transport.....	109
<b>TECHNICAL DATA.....</b>	<b>111</b>
<b>PROGRAMMED MAINTENANCE.....</b>	<b>121</b>
Scheduled maintenance table.....	122
Table of recommended products.....	125
<b>SPECIAL FITTINGS.....</b>	<b>127</b>
Accessories index.....	128

# MGX-21



**Chap. 01**  
**General rules**

## Carbon monoxide

CAUTION



EXHAUST EMISSIONS CONTAIN CARBON MONOXIDE, A POISONOUS GAS WHICH CAN CAUSE LOSS OF CONSCIOUSNESS AND EVEN DEATH.

CAUTION



CARBON MONOXIDE IS ODOURLESS AND COLOURLESS, THEREFORE IT CANNOT BE DETECTED BY SMELL, SIGHT OR OTHER SENSES. DO NOT BREATHE IN EXHAUST FUMES UNDER ANY CIRCUMSTANCES.

## Fuel

CAUTION



THE FUEL USED TO POWER INTERNAL COMBUSTION ENGINES IS HIGHLY FLAMMABLE AND MAY BE EXPLOSIVE UNDER CERTAIN CONDITIONS. IT IS THEREFORE RECOMMENDED TO CARRY OUT REFUELLING AND MAINTENANCE PROCEDURES IN A VENTILATED AREA WITH THE ENGINE SWITCHED OFF. DO NOT SMOKE DURING REFUELLING OR NEAR FUEL VAPOUR. AVOID ANY CONTACT WITH NAKED FLAME, SPARKS OR OTHER HEAT SOURCES WHICH MAY CAUSE IGNITION OR EXPLOSION.

DO NOT ALLOW FUEL TO DISPERSE INTO THE ENVIRONMENT.



**KEEP OUT OF THE REACH OF CHILDREN.**



**IF THE VEHICLE FALLS OR IS ON A STEEP INCLINE FUEL CAN LEAK.**

## **Hot components**

The engine and the exhaust system components get very hot and remain in this condition for a certain time interval after the engine has been switched off. Before handling these components, make sure that you are wearing insulating gloves or wait until the engine and the exhaust system have cooled down.

## **Warning lights**



**SE LA SPIA DI ALLARME GENERALE E L'EVENTUALE SCRITTA "SERVICE" OPPURE "URGENT SERVICE" SI ACCENDONO DURANTE IL NORMALE FUNZIONAMENTO DEL MOTORE, SIGNIFICA CHE LA CENTRALINA ELETTRONICA HA RILEVATO QUALCHE ANOMALIA.**

**IN MOLTI CASI IL MOTORE CONTINUA A FUNZIONARE CON PRESTAZIONI LIMITATE; RIVOLGERSI IMMEDIATAMENTE A UN Concessionario Ufficiale Moto Guzzi.**



**IF IN THE RIGHT DASHBOARD THE GENERAL ALARM INDICATOR AND BULB ICON REMAIN BURNING, OR COME ON DURING NORMAL ENGINE OPERA-**

**TION, IT MEANS THAT THE OIL PRESSURE IN THE CIRCUIT IS TOO LOW. IN THIS CASE THE ENGINE MUST BE IMMEDIATELY SHUT OFF IN ORDER TO AVOID ANY POSSIBLE DAMAGE.**



**PERFORM THE MOTOR OIL LEVEL CHECK. IF THE INSUFFICIENT MOTOR OIL PRESSURE LIGHT REMAINS DESPITE THE ABOVE PROCEDURE BEING PERFORMED CORRECTLY, CONTACT AN AUTHORIZED Moto Guzzi Dealer TO HAVE THE SYSTEM CHECKED.**

## **Used engine oil and gearbox oil**

### **CAUTION**



**IT IS ADVISABLE TO WEAR PROTECTIVE IMPERMEABLE GLOVES WHEN SERVICING THE VEHICLE.**

**THE ENGINE OR GEARBOX OIL MAY CAUSE SERIOUS INJURIES TO THE SKIN IF HANDLED FOR PROLONGED PERIODS OF TIME AND ON A REGULAR BASIS.**

**WASH YOUR HANDS CAREFULLY AFTER HANDLING OIL.**

**HAND THE OIL OVER TO OR HAVE IT COLLECTED BY THE NEAREST USED OIL RECYCLING COMPANY OR THE SUPPLIER.**

**DO NOT DISPOSE OF OIL IN THE ENVIRONMENT**

**KEEP OUT OF THE REACH OF CHILDREN.**

## Brake and clutch fluid



**BRAKE AND CLUTCH FLUIDS CAN DAMAGE THE PLASTIC OR RUBBER PAINTED SURFACES. WHEN SERVICING THE BRAKING OR THE CLUTCH SYSTEM PROTECT THESE COMPONENTS WITH A CLEAN CLOTH. ALWAYS WEAR PROTECTIVE GOGGLES WHEN SERVICING THESE SYSTEMS. BRAKE AND CLUTCH FLUIDS ARE EXTREMELY HARMFUL FOR YOUR EYES. IN THE EVENT OF ACCIDENTAL CONTACT WITH THE EYES, RINSE THEM IMMEDIATELY WITH PLENTY OF COLD, CLEAN WATER AND SEEK MEDICAL ADVICE.**

**KEEP OUT OF THE REACH OF CHILDREN.**

## Battery hydrogen gas and electrolyte

### CAUTION



**THE BATTERY ELECTROLYTE IS TOXIC, CORROSIVE AND AS IT CONTAINS SULPHURIC ACID, IT CAN CAUSE BURNS WHEN IN CONTACT WITH THE SKIN. WHEN HANDLING BATTERY ELECTROLYTE, WEAR TIGHT-FITTING GLOVES AND PROTECTIVE APPAREL. IN THE EVENT OF SKIN CONTACT WITH THE ELECTROLYTIC FLUID, RINSE WELL WITH PLENTY OF CLEAN WATER. IT IS PARTICULARLY IMPORTANT TO PROTECT YOUR EYES BECAUSE EVEN TINY AMOUNTS OF BATTERY ACID MAY CAUSE BLINDNESS. IF THE FLUID GETS IN CONTACT WITH YOUR EYES, WASH WITH ABUNDANT WATER FOR FIFTEEN MINUTES AND CONSULT AN EYE SPECIALIST IMMEDIATELY. THE BATTERY RELEASES EXPLOSIVE GASES; KEEP IT AWAY FROM FLAMES, SPARKS, CIGARETTES OR ANY OTHER HEAT SOURCES. ENSURE ADEQUATE VENTILATION WHEN SERVICING OR RECHARGING THE BATTERY.**

**KEEP OUT OF THE REACH OF CHILDREN.**

**BATTERY LIQUID IS CORROSIVE. DO NOT POUR OR SPILL ON PLASTIC COMPONENTS IN PARTICULAR. ENSURE THAT THE ELECTROLYTIC ACID IS COMPATIBLE WITH THE BATTERY BEING ACTIVATED.**

### **Reporting of defects that affect safety**

Unless otherwise specified in this Use and Maintenance Booklet, do not remove any mechanical or electrical component.

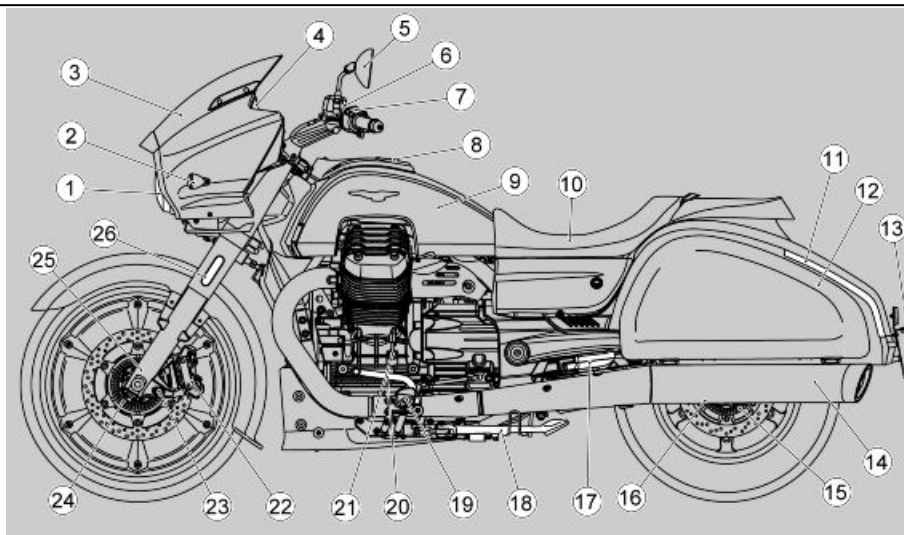
#### **CAUTION**

**SOME CONNECTORS IN THE VEHICLE MAY BE ACCIDENTALLY SWAPPED AND MAY COMPROMISE NORMAL VEHICLE OPERATION IF INCORRECTLY INSTALLED.**

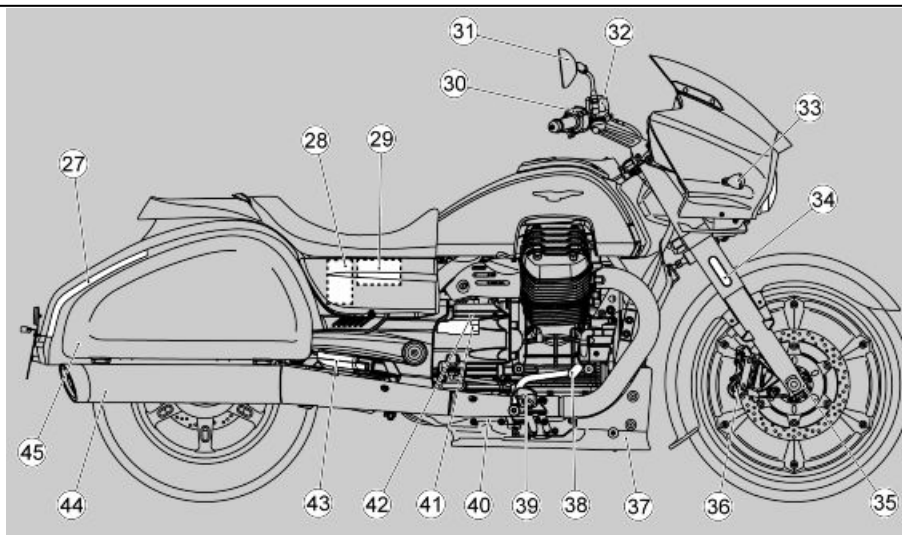
# MGX-21



**Chap. 02**  
**Vehicle**



02\_01



02\_02

### Arrangement of the main components (02\_02)

#### Key:

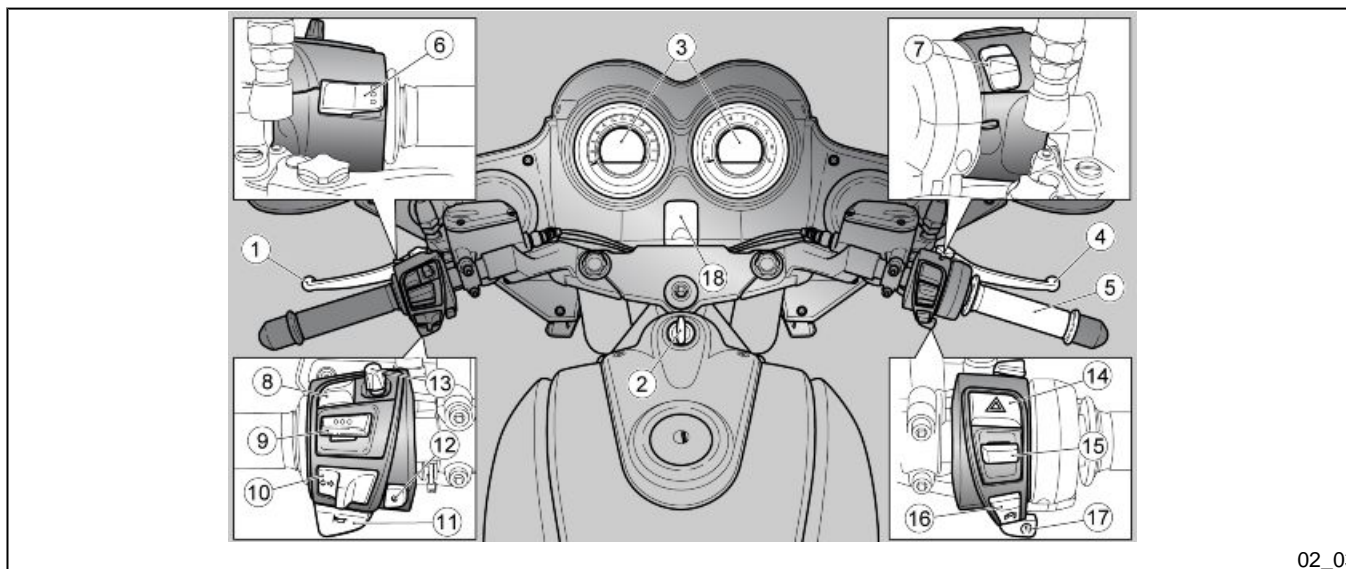
1. Headlight unit
2. Front left turn indicator
3. Windscreen
4. Instrument panel
5. Left rear-view mirror
6. Clutch pump
7. Left light switch
8. Fuel tank cap
9. Fuel tank
10. Rider/passenger saddle
11. Brake light/left rear turn indicator

12. Left side saddle pannier
13. Licence plate light
14. Left silencer
15. Rear tone wheel
16. Rear ABS sensor
17. Left hand passenger footrest
18. Side stand
19. Left rider footrest
20. Gear lever
21. Engine oil level dipstick
22. Front left brake calliper
23. Front ABS sensor
24. Front tone wheel
25. Front left fork
26. Front left hand reflector
27. Brake light/right rear turn indicator
28. Battery
29. Fuse box
30. Right light switch
31. Right rear-view mirror
32. Front brake pump
33. Front right turn indicator
34. Front right hand reflector
35. Front right fork
36. Front right brake calliper
37. Engine cover
38. Rear brake lever
39. Right hand rider footrest
40. Rear brake pump
41. Rear shock absorbers regulator
42. Rear brake pump reservoir
43. Right hand passenger footrest
44. Right silencer
45. Right saddle bag



**NOTE**

**ELECTRICAL COMPONENTS FUNCTION ONLY WHEN THE IGNITION KEY IS SET TO "ON"**

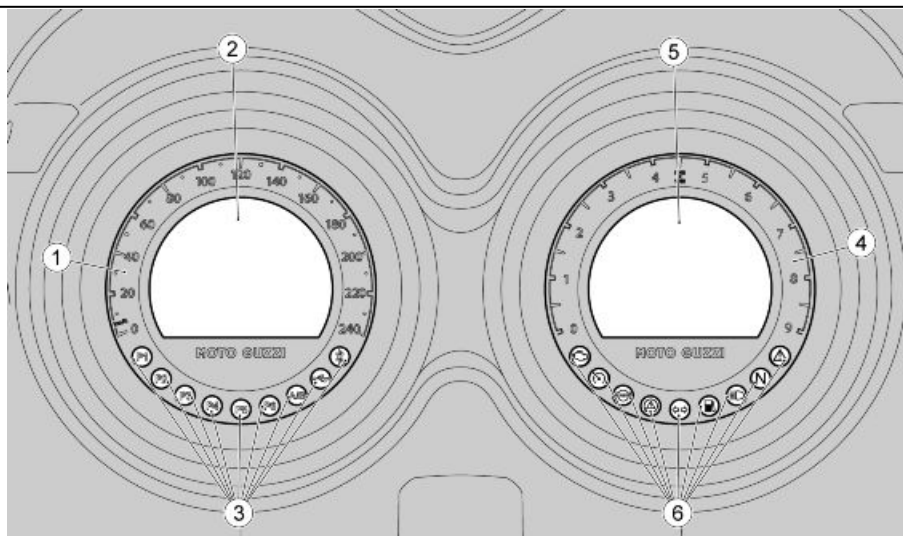


02\_03

**Dashboard (02\_03)****Key:**

1. Clutch control lever
2. Ignition switch /steering lock

3. Instruments and gauges
4. Front brake lever
5. Throttle grip
6. Light switch/high-beam flasher button
7. Daytime/night lights switch
8. "MUTE" button/radio menu
9. Left selector/cruise control
10. Turn indicator button
11. horn button
12. MGMP button
13. Radio selector
14. "HAZARD" emergency warning indicator button
15. Right selector/"MODE"
16. Engine stop switch
17. Start button/engine calibration
18. USB port



02\_04

## Instrument panel (02\_04)

### Dashboard key:

1. Speedometer
2. Multifunctional digital display
3. Warning lights
4. Rpm indicator
5. Multifunctional digital display
6. Warning lights

### CAUTION

**A PROLONGED DIRECT EXPOSURE OF THE DASHBOARD TO SUNLIGHT WHILE THE ENGINE IS STOPPED MAY RESULT IN TEMPORARY REDUCTION**

**OF CONTRAST OF THE DISPLAY, ONCE ITS INTERNAL TEMPERATURE IS REDUCED IT WILL RECOVER.**

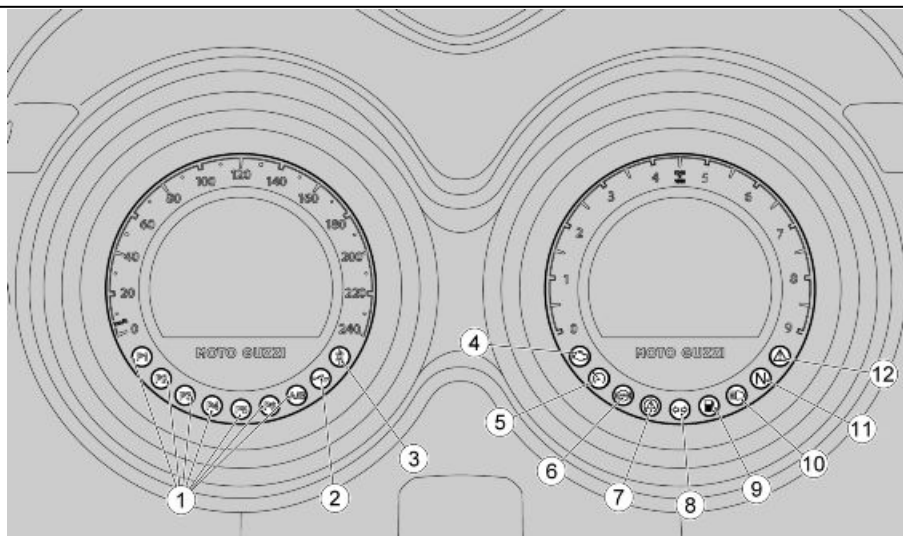
The instrument panel has an immobilizer which prevents start-up in case the system does not identify a key which has been programmed before.

The vehicle is supplied with two keys already programmed. The instrument panel accepts a maximum of four keys at the same time: contact an **Official Moto Guzzi Dealer** to enable these keys or to disable a key that has been lost.

When starting the vehicle and approximately ten seconds after the key is set to ON, viewing the information in the right display, the instrument panel requests a personal five-digit code to be entered. This request is no longer displayed once the personal code is entered. For code entering procedure, see the "CHANGE THE CODE" section.

**It is important to remember the personal code because:**

- **the vehicle can be started if the immobilizer system is faulty**
- **the instrument panel need not be replaced should the ignition switch be changed**
- **new keys can be programmed**



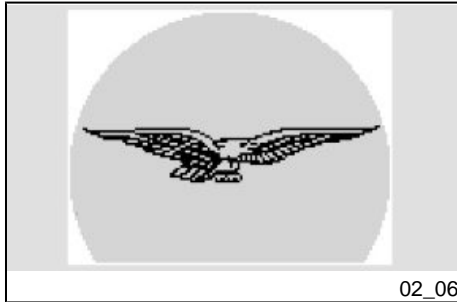
02\_05

## Light unit (02\_05)

### Left and right instrument key:

1. Radio station stored indicator lights (orange colour)
2. USB indicator light (green)
3. Bluetooth indicator light (blue)
4. MI warning light (orange)
5. Cruise control indicator light (green)
6. ABS (Anti-lock Braking System) warning light (orange)
7. MGCT (Moto Guzzi Traction Control) warning light (orange)
8. Turn indicator warning light (green)
9. Low fuel warning light (orange)
10. High beam warning light (blue)
11. Neutral gear warning light (green)

## 12. General alarm warning lamp (red)



02\_06

**Digital lcd display (02\_06, 02\_07, 02\_08, 02\_09, 02\_10, 02\_11, 02\_12, 02\_13, 02\_14, 02\_15, 02\_16)**

Turning the ignition key to the position "ON", in both instruments are switched on for two seconds:

- The Moto Guzzi logo;
- all warning lights;
- backlighting. When the daytime light function is activated the back lighting switches off after the key is turned ON.

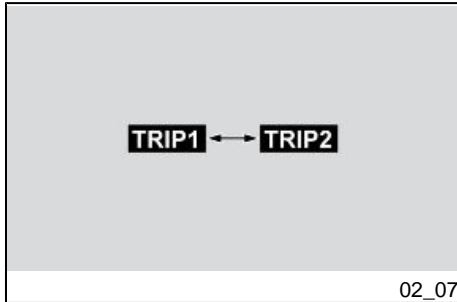
The dashboard needles move to maximum and back to zero.

After two seconds, all instruments immediately show the current value of the measurements read.

With the key set to "KEY OFF" the general alarm warning light flashes to indicate activation of the locking system. To minimise battery consumption the light stops flashing after 50 hours.

**NOTE**

**EVERY LONG PRESS UP OR DOWN OF THE "MODE" SELECTOR CAN CHANGE FROM TRIP JOURNAL 1 (TRIP 1) TO TRIP JOURNAL 2 (TRIP 2).**



02\_07



02\_08

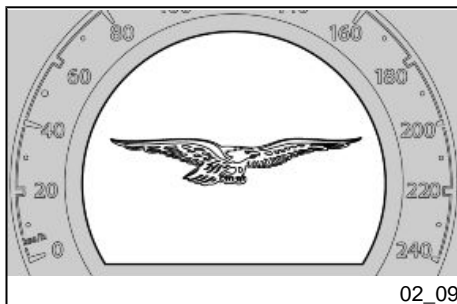
The standard settings that can be viewed on the right display are:

1. Ice warning icon (displayed at temperatures lower than 4 °C / 39.2°F)
2. Room temperature (displayed in °C or in °F);
3. Maintenance icon;
4. Speed (tachometer) (displayed in km/h or m/h);
5. Gear engaged;
6. Fuel level;
7. Indication relative to the power limitation present in the control unit;
8. Selected engine map;
9. On-board computer travel journal or active alarms:

- Total odometer
- Trip odometer
- Travelling time
- Average speed
- Average fuel consumption
- Instant fuel consumption
- Average in reserve
- Battery voltage
- Clock

**Only with the vehicle at standstill:**

- Menu
- MGCT (Moto Guzzi Traction Control)



02\_09

The standard settings that can be viewed on the left display are:

1. FM radio
2. AM radio (enabled/disabled by the user)
3. USB audio (audio player for USB flash drives)
4. BT audio (audio connection for Bluetooth devices)



### ICE ALARM

If the external temperature drops below 4 C° (39.2 F°), the ice symbol will appear in the upper part of the right display (1). Therefore, be particularly careful when riding.

When this temperature rises the symbol will disappear.



### MAINTENANCE ICON

The system displays the function as follows:

- When the thresholds of the maintenance intervals have been exceeded an adjustable spanner icon will appear (3) left of the right display. To reset the service is necessary to take it to an **Authorized Moto Guzzi Dealer and Office**.

Icon ignition: every 10,000 km (6,214 mi)

### CAUTION

**THE FIRST SCHEDULED SERVICE (1,500 km or 932.06 mi) MAINTENANCE ICON WILL NOT BE ACTIVATED.**



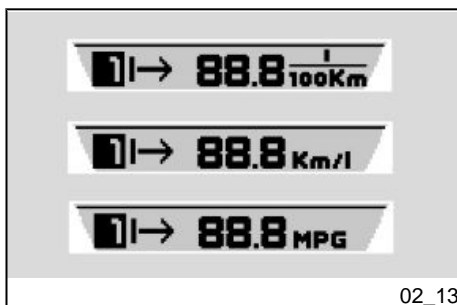


### FUEL LEVEL

In the right display, it is visible the fuel level in the tank by means of a series of notches (6).

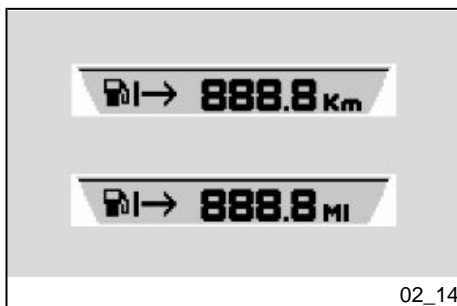
### NOTE

**THE FUEL LEVEL INDICATION MAY CHANGE DEPENDING ON THE INCLINATION OF THE MOTORCYCLE WHEN IT IS ON THE SIDE STAND AS OPPOSED TO WHEN IT IS IN MOTION.**



### ACTUAL CONSUMPTION AND AVERAGE CONSUMPTION

In the right display it is possible to view the instantaneous fuel consumption and the average consumption since the last reset of the trip journal.



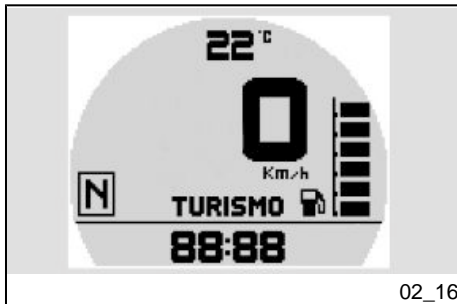
### AVERAGE IN RESERVE

After running for 2 km (1.24 mi) the fuel warning light appears on the right and display the kilometres or miles on reserve. When the fuel warning light is on, it disappears and reappears by pressing the right selector after 60 seconds.



### BATTERY VOLTAGE

In this mode the correct battery voltage can be viewed



### TIME SETTINGS

The clock can be programmed with this option. Press and hold the "MODE" selector in the centre to access the function. Within this function, each time the "MODE" selector is pressed up or down, the time will be increased or decreased by one hour. Once 12 has been reached, the next press of the selector will return to 1.

Press the "MODE" selector to store the value and shift to the minute adjustment mode.

Each time the "MODE" selector is pressed up or down, the time will be increased or decreased by one hour. Once 59 has been reached, the next press of the selector will return to 0.

The procedure ends with a central long press of the switch "MODE" or automatically, in the absence of input, after 5 seconds.

## Alarms (02\_17, 02\_18, 02\_19, 02\_20, 02\_21, 02\_22, 02\_23)

If an anomaly is detected, the bottom part of the right display shows a different icon depending on the cause.

See an **Official Moto Guzzi Dealer** as soon as possible.

### ALARM EMISSIONS

In case of a malfunction detected by the instrument panel or the electronic control unit on the exhaust gas emissions, the steady light of the MI will appear. It is necessary to consult an **Official Moto Guzzi Dealer**.

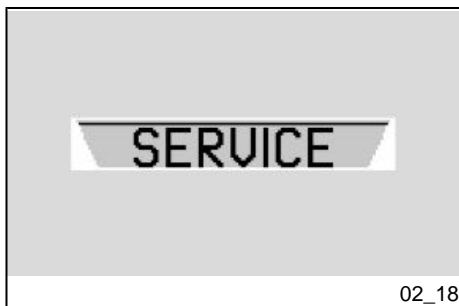


02\_17

### SERVICE ALARM

In case of malfunction detected by the instrument panel or the electronic control unit, the word "SERVICE" will appear in the right display and the red light of general alarm will be activated.

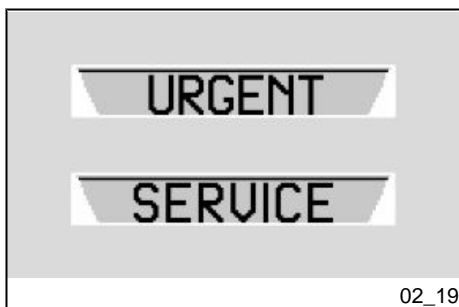
If there is an immobilizer failure at ignition, the instrument panel requests you to enter a user code. If the current code is entered correctly, the instrument panel signals the failure by displaying the word "SERVICE" in the right side of the display and the red general warning light turns on.



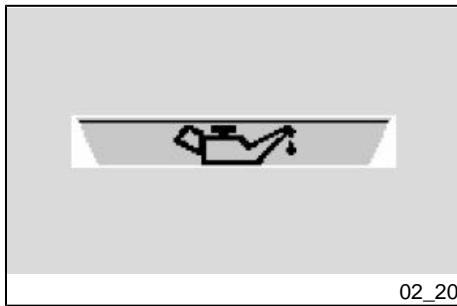
02\_18

### URGENT SERVICE ALARM

A serious failure is signalled by a fast flashing (two flashes per second) of the general warning light and by the "URGENT" and "SERVICE" words alternately being shown on the right display. See an **Official Moto Guzzi Dealer** as soon as possible. In these cases the ECU activates a safety procedure limiting vehicle performance in order to allow the rider to go to an **Official Moto Guzzi Dealer** at a reduced speed. According to the type of failure, performance can be limited in two ways: a) by reducing the maximum torque produced; b) by keeping the engine at idle speed but slightly accelerated (during this operation, the throttle control is disabled).



02\_19



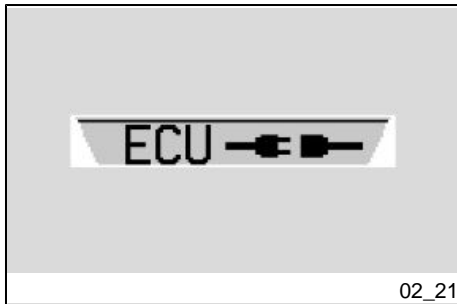
### OIL ANOMALY

In case of failure of the oil pressure or the oil pressure sensor on the dashboard indicates the anomaly in the right display, the bulb and a fixed red light of general alarm turns on.

#### CAUTION

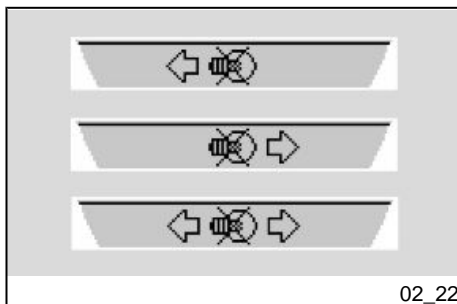
**IF THIS SIGNAL APPEARS WHEN THE KEY IS TURNED ON (STEADY LIGHTING OF THE WARNING LIGHT), A SENSOR FAULT IS SIGNALLED AND THERE IS NO IMMEDIATE DANGER FOR THE ENGINE.**

**IF THE SIGNAL APPEARS AFTER ENGINE IGNITION (THE WARNING LIGHT IS FLASHING), AN OIL PRESSURE FAULT IS SIGNALLED; SWITCH OFF THE ENGINE IMMEDIATELY AND TAKE THE MOTORCYCLE TO AN Official Moto Guzzi Dealer USING A ROADSIDE ASSISTANCE VEHICLE.**



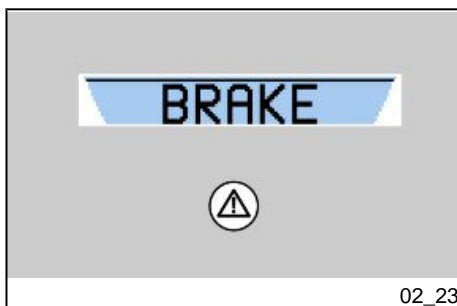
### ELECTRONIC CONTROL UNIT DISCONNECTED ALARM

In case no connection is detected, the disconnection icon is displayed on the right display and the red general warning light turns on in a solid manner to signal this condition.



### TURN INDICATORS MALFUNCTION

When the instrument panel detects a failing turn indicator, the warning light flashes twice as fast and the problem is signalled on the right display.



### ALARMS PROLONGED BRAKING

In case of accidental pressing of one of the two brakes for more than thirty seconds while the vehicle is driving more than 20 Km/h (12.43 mph) the instrument panel shows the fault displaying the wording "BRAKE" on the right display. If the accidental pressure of one of the two brakes is maintained for more than sixty seconds, the instrument panel shows the fault with the steady lighting of the red warning light and displaying the wording "BRAKE" on the right display.

The message disappears from the instrument panel when the brakes are released. With the motorcycle stopped, this alarm is deactivated.



### Mapping selection (02\_24, 02\_25)

The engine control unit has three different user selectable calibrations (8), displayed as follows in the lower central part of the right display:

- TURISMO
- VELOCE
- PIOGGIA

The **TURISMO** mode is designed for touring use of the vehicle.

**VELOCE** mode is the most reactive and is designed for sport use of the vehicle.

**CAUTION**

**ONLY EXPERT RIDERS, RIDING ON ROADS WITH GOOD GRIP ARE ADVISED TO USE THIS MODE. IT IS NOT RECOMMENDED FOR WET SURFACES AND/OR ROADS WITH LOW GRIP.**

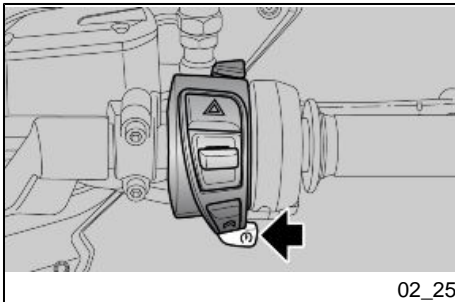
The **PIOGGIA** mode is designed for use of the vehicle on wet surfaces or in conditions of poor grip. The system reduces the maximum torque supplied by the engine and smoothly delivers it so as to prevent loss of grip. In this mode, the vehicle performance is limited, and therefore, the maximum speed cannot be reached.

**EVEN IN THIS MODE, ALWAYS USE PARTICULAR CAUTION WHEN RIDING IN POOR GRIP CONDITIONS.**

The selection of the different engine maps is realized by pressing the starter button, which may be used to select maps once 5 seconds have elapsed after engine start

**CAUTION**

**THE SELECTION PROCEDURE AND MAP ACTIVATION IS EXCLUSIVE ONLY WHEN THE ENGINE IS STARTED WITH THE THROTTLE GRIP RELEASED. IT IS POSSIBLE TO ALSO PERFORM THIS PROCEDURE WITH THE MOTORCYCLE RUNNING AND WITH THE THROTTLE GRIP RELEASED.**



To change the calibration, proceed as follows:

- Press the starter button once. The map currently in use is shown "in negative" on the right display
- Press the starter button again within 1.5 seconds of pressing the first time. The next available map is shown in negative on the right display. If the button is not pressed again within 1.5 seconds (which would select the next available map), and the throttle grip is not used, the new map selection is shown in positive on the display, indicating that the new map selection has been implemented.

**CAUTION**

**IN CASE THE THROTTLE GRIP IS TURNED WHEN THE NEW MAPPING CHOSEN IS HIGHLIGHTED "IN NEGATIVE" ON THE DISPLAY, HENCE STILL BEING AC-**

CEPTED BY THE ECU, THE NEW MAPPING SELECTED STARTS FLASHING "IN POSITIVE" ON THE DISPLAY, BUT WILL NOT BE ACTUALLY APPLIED UNLESS THE THROTTLE GRIP IS RELEASED.

### Control buttons (02\_26, 02\_27)

- Move the "MODE" selector up or down to scroll and view the name given in the right display.
- Press the selector in the centre to confirm the selected data.



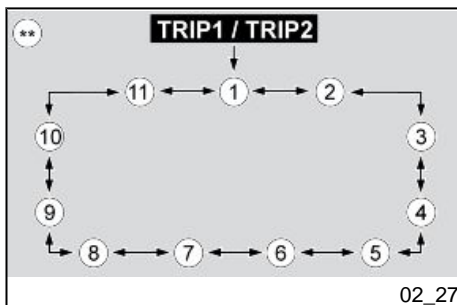
#### Trip journal 1 and 2 (Trip 1 and Trip 2)

Two trip journals are available (\*).

With a long central press of the "MODE" selector, select the TRIP JOURNAL 1 (TRIP 1) and the "1" icon activates on the right display.

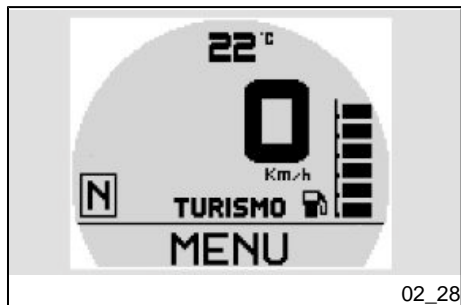
With a new long central press of the "MODE" selector, select the TRIP JOURNAL 2 (TRIP 2) and the "2" icon activates on the right display.

In both journals, each short press of the "MODE" selector up or down are displayed in succession the following information (\*\*):



- (1) TOTAL ODOMETER
- (2) TRIP ODOMETER
- (3) TRAVELLING TIME
- (4) AVERAGE SPEED
- (5) AVERAGE FUEL CONSUMPTION
- (6) INSTANT FUEL CONSUMPTION
- (7) AVERAGE IN RESERVE
- (8) BATTERY VOLTAGE
- (9) CLOCK
- (10) MENU (only with the vehicle at standstill)
- (11) MGCT (Moto Guzzi Traction Control) (only with the vehicle at standstill)

With the following options: TRIP ODOMETER, TRAVELLING TIME, AVERAGE TRAVELLING SPEED, AVERAGE FUEL CONSUMPTION pressing in and holding the central "MODE" selector resets all the indications stored in the active TRIP LOG.



### **Advanced functions (02\_28, 02\_29, 02\_30, 02\_31, 02\_32, 02\_33, 02\_34, 02\_35)**

**The following functions (MENU and MGCT) are selectable only when the vehicle is at standstill.**

#### **MENU**

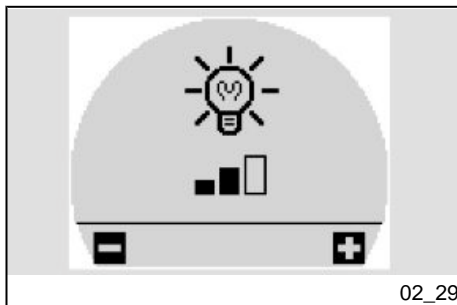
Sets the display of the parameters present in various configurations.

To access within the "MENU " press and hold the "MODE" selector.

The configuration menu options are:

- EXIT
- BACK LIGHTING
- CALIBRATION
- °C/°F
- FUEL CONSUMPTION
- CODE MODIFICATION
- LANGUAGE
- SERVICE





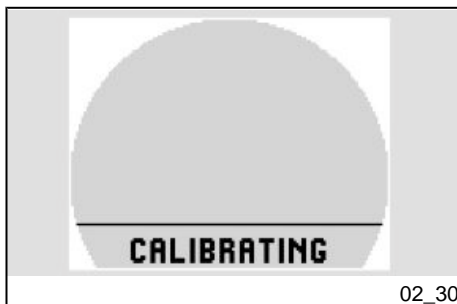
## BACK LIGHTING

This feature enables the adjustment of the intensity of the back lighting on three levels.

Once you have entered this function and each time the "MODE" selector is pressed up or down, the following icons are cyclically displayed:

- Minimum (a full notch)
- Medium (two full notches)
- Maximum (three full notches)

After the operation, with a short press of the "MODE" selector, the instrument panel returns to the home screen.



## CALIBRATION

Select the option from the configuration "MENU", access the CALIBRATION function.

A window with the message "CALIBRATING" appears at the bottom of the right display when the CALIBRATION function is selected:

- CALIBRATING

To calibrate the MGCT system (Moto Guzzi Traction Control), ride the vehicle on flat, straight section of road for approximately 10 seconds in second gear and at a speed of 30 +/- 2 km/h (18.64 +/- 1.24 mph) until the message "CALIBRATION" is no longer shown on the display.

### NOTE

**ONCE THE MESSAGE 'CALIBRATING' CEASES TO BE DISPLAYED, STOP THE VEHICLE, TURN THE IGNITION SWITCH OFF AND LEAVE OFF FOR AT LEAST 30 SECONDS TO COMPLETE THE CALIBRATION PROCEDURE.**

**THIS ALLOWS THE CALIBRATION TO BE STORED IN THE MEMORY.**

### NOTE

**THE CALIBRATION OPERATION IS USED TO OPTIMISE THE MGCT FUNCTION IN CASE OF A CHANGE IN TYRE TYPE.**

**IF TYRES OTHER THAN THOSE INDICATED IN THIS USE AND MAINTENANCE BOOKLET ARE USED, TO OBTAIN THE SAME PERFORMANCE FROM THE MGCT SYSTEM THE SETTING LEVELS OF THE SYSTEM ITSELF MAY NEED TO BE MODIFIED.**

#### **NOTE**

**TURN THE IGNITION SWITCH OFF TO ABORT THE CALIBRATION PROCEDURE.**

**WHEN CALIBRATION IS CARRIED OUT THE TRACTION CONTROL SYSTEM AUTOMATICALLY DEACTIVATES (IF IT WAS PREVIOUSLY ACTIVATED).**

#### **CAUTION**

**WHEN THE MOTORCYCLE IS IN RESERVE, IT IS NOT POSSIBLE TO CARRY OUT THE CALIBRATION PROCEDURE BECAUSE, DURING THIS PHASE, ON THE INSTRUMENT PANEL, THE MESSAGE CALIBRATING IS REPLACED BY THE INDICATION OF THE KILOMETRES TRAVELLED SINCE ENTERING RESERVE STATE**

#### **°C/°F**

This function selects the ambient temperature unit of measurement. From this mode, press the "MODE" selector up or down briefly to toggle between the two units of measurement available:

- °C
- °F

Hold down the "MODE" selector to store the data; the instrument panel goes back to the "MENU".



02\_31

### CODE MODIFICATION

This function is used to modify an old code. Once you have entered this function, the following message is displayed:

- "INSERT YOUR OLD USER CODE"

After recognizing the old code is required to enter the new code, the right display shows the following message:

- "INSERT YOUR NEW USER CODE"

If it is the first time a code is stored, only the new code is requested.

After inserting the code it remains displayed until the instrument panel is switched off.



02\_32

### SERVICE

This function interfaces with the systems present on the motorcycle and diagnose them. **For this, it is necessary to go to a Moto Guzzi Service Centre.**

### LANGUAGE

The right display language can be selected with this function. The available options are:

- ITALIANO
- ENGLISH

- FRANCAIS
- DEUTSCH
- ESPAÑOL

### **MGCT (Moto Guzzi Traction Control)**

MGCT is a system which controls slipping of the rear wheel in the event of a brief loss of grip, for the purpose of increasing vehicle stability. While MGCT improves vehicle control, it does not allow the physical handling limits of the vehicle to be exceeded. The rider is entirely responsible for riding at an appropriate speed in relation to the weather, road conditions, vehicle load and state of the tyres, and allowing for an adequate margin of safety. Under no circumstances can MGCT compensate for any rider error or improper use of the throttle.



**THE MGCT SYSTEM DOES NOT PREVENT FALLING IN TURNS.**

**ACCELERATING SUDDENLY WHILE THE VEHICLE IS INCLINED OR WITH THE HANDLEBARS TURNED WILL PUT THE VEHICLE IN AN UNSTABLE STATE THAT IS EXTREMELY DIFFICULT TO RECTIFY.**

**DO NOT SPEED RECKLESSLY. LIMITS OF GRIP ARE DETERMINED BY LAWS OF PHYSICS, WHICH EVEN THE MGCT SYSTEM CANNOT OVERCOME.**

#### **NOTE**

**ONCE THE MOTORCYCLE IGNITION SWITCH IS TURNED OFF, AT THE NEXT START UP THE MGCT SYSTEM MAINTAINS THE PREVIOUSLY SELECTED SETTINGS.**



02\_33

#### Warning light key:

- **Lamp off:** with system activated with vehicle in motion or system activated after exceeding 5 Km/h (3.11 mph) after key-on;
- **Lamp lit continuously:** system deactivated deliberately by rider, or deactivated as a result of a malfunction;
- **Lamp flashing slowly:** with system active after key-on, before exceeding 5 Km/h (3.11 mph), or in the event of certain malfunctions inhibiting modification of MGCT level setting;
- **Lamp flashing quickly:** when MGCT system is effectively implementing traction control.

When the motorcycle is turned on the MGCT system keeps the previous active system setting, or off the system.

If the MGCT system is active when the motorcycle is switched on, after the initial instrument panel check cycle, the MGCT indicator lamp flashes until the vehicle speed exceeds 5 Km/h (3.11 mph), after which it extinguishes.

If the MGCT system is deactivated when the motorcycle is switched on, after the initial instrument panel check cycle, the MGCT icon extinguishes and remains off until the rider manually activates the system.

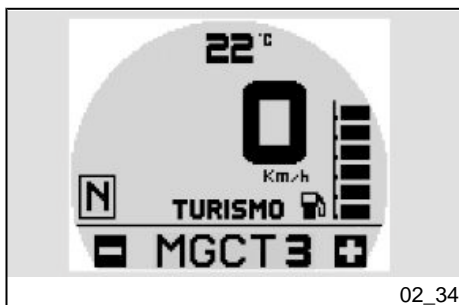
Scrolling through the TRIP JOURNAL 1 or 2 (TRIP 1 or TRIP 2) by short up or down presses of the "MODE" selector it is possible to see the MGCT function.

By briefly pressing the central "MODE" selector the MGCT function can be accessed.

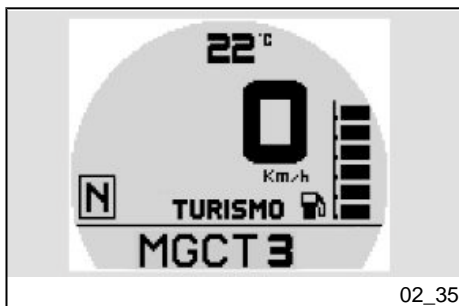
Push and hold the "MODE" selector to activate the system. The value "1" (lowest setting) is shown on the right display.

The MGCT indicator lamp flashes.

Push the "Mode" selector briefly to the right to select the next highest level, up to the maximum setting possible (level "3").



02\_34



02\_35

**NOTE**

**EVERY TIME THE SET VALUE IS MODIFIED, THE NUMERIC SYMBOL IS DISPLAYED IN NEGATIVE (BLINKS) FOR 2 SECONDS BEFORE BEING CONFIRMED**

To deactivate the system, the value "1", move the "MODE" selector down with a long press, until the "-" value appears.

The MGCT warning light will be on steady.

To exit MGCT function briefly press the central part of the "MODE" selector or put the motorcycle in motion.

If the MGCT warning light is on permanently it means that a malfunction was detected and the system is automatically deactivated.

In this case carry out the following operations:

- stop the vehicle;
- turn the vehicle OFF-ON;
- manually activate the MGCT system
- ride over 5 km/h (3.11 mph)

If the light goes out then the system is working, if the signal MGCT disabled persists:

**NOTE**

**IF THIS OCCURS, CONTACT AN OFFICIAL Moto Guzzi dealer.**



**IF THE GAP FOR ONE OR BOTH SENSORS IS NOT WITHIN THE TOLERANCE INDICATED BELOW, TAKE THE MOTORCYCLE TO AN Official Moto Guzzi Dealer**

**Characteristic**

**Distance between tone wheel and front sensor**

0.3 - 2.00 mm (0.012 - 0.079 in)

**Distance between tone wheel and rear sensor**

0.3 - 2.00 mm (0.012 - 0.079 in)

**Ignition switch (02\_36)****NOTE**

**KEEP THE SPARE KEY IN DIFFERENT PLACE, NOT WITH THE VEHICLE.**

The ignition switch is on the front part of the fuel tank near the headstock.

The vehicle is supplied with two keys (one is the spare key).

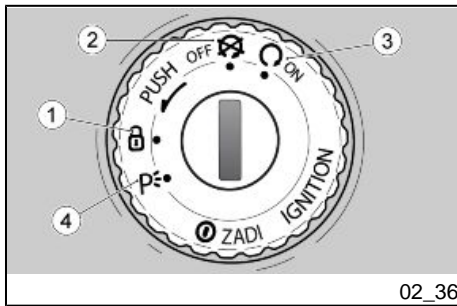
The light switch turns off when the ignition switch is set to «**KEY OFF**»

**NOTE**

**THE KEY ACTIVATES THE IGNITION SWITCH/ STEERING LOCK, THE FUEL TANK CAP LOCK AND THE SADDLE LOCK.**

**NOTE**

**THE LIGHTS COME ON AUTOMATICALLY AFTER THE ENGINE STARTS.**



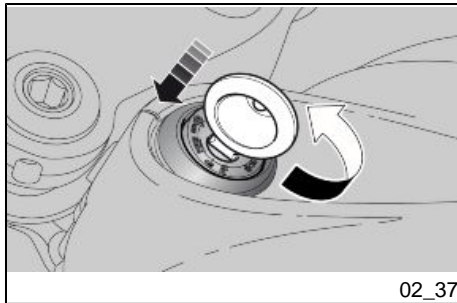
02\_36

**LOCK (1):** The steering is locked. It is not possible to start the engine or switch on the lights. The key can be extracted

**OFF (2):** The engine and lights cannot be set to work. The key can be extracted.

**ON (3):** the engine may be started. The key cannot be removed

**PARKING (4):** The steering is locked. The engine cannot be started. The lights of the front and rear headlamps are activated. The ignition key can be extracted. Once the key has been extracted, the immobilizer system is active (if present).



02\_37

### Locking the steering wheel (02\_37)

**To lock the steering:**

- Turn the handlebar fully to the left.
- Turn the key to «OFF».
- Push in the key and turn it anticlockwise (to the left), steer the handlebar slowly until the key is set to «LOCK».
- Extract the key.

### CAUTION

**TO PREVENT THE LOSS OF CONTROL OF THE VEHICLE, NEVER SET THE KEY ON ITS "LOCK" POSITION WHILE RUNNING.**

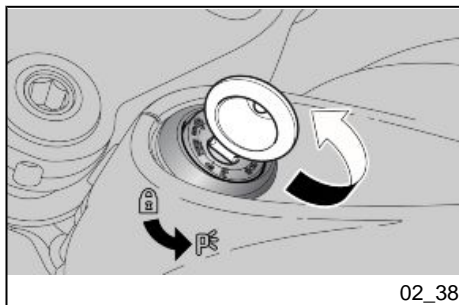


## Parking lights (02\_38)

The vehicle has front and rear parking lights. Considering that it is preferable to park the vehicle in adequate and well-lit areas, parking lights are very useful when parking the vehicle in a dark or poorly lit area and when the vehicle needs to be visible.

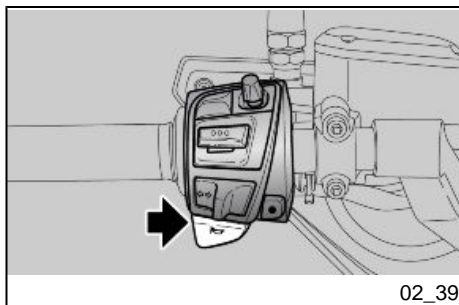
To turn on the parking lights:

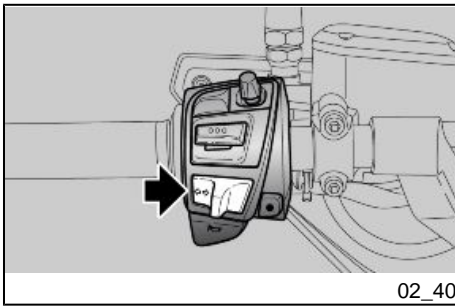
- Block the steering but do not take out the key.
- Turn the key to PARKING.
- Check that both parking lights (front and rear) turn on properly.
- Take out the key.



## Horn button (02\_39)

Press it to activate the horn.





## Switch direction indicators (02\_40)

Move the switch to the left, to indicate a left turn; move the switch to the right to indicate a right turn. Press the switch centrally to deactivate the turn signal.

### CAUTION

**IF THE WARNING LIGHT WITH ARROWS FLASHES QUICKLY, IT MEANS THAT ONE OR BOTH TURN SIGNALS LIGHT BULBS ARE BURNT OUT.**

The turn indicators have a self-cancelling function that implements the following logic.

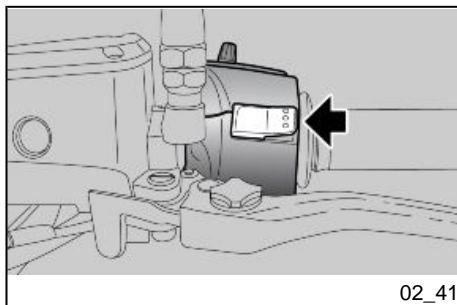
With the vehicle at standstill (speed = zero), the turn indicators continue flashing indefinitely.

With the vehicle in motion, the turn signals self-cancel when one of the two following conditions is met:

- After a time (t) = 40 sec.
- After riding 500 m (0.31 mi)

If the vehicle speed reaches zero during this period, the time and distance counts are reset and start again from zero when the vehicle starts moving once again.

Switching on the opposite side turn indicators without pressing the switch in the intermediate reset position causes both the time and distance counters to reset and recommence from zero.



02\_41

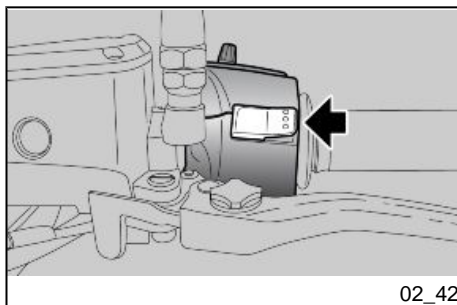
## High/low beam selector (02\_41)

In the mode with daytime lights activated:

- the light switch functions are disabled except for the high beam flasher function
- In the right hand position the high beam flashes in case of danger or emergency.

In the mode with night lights activated:

- the switch in the central position keeps the daylight running lights, the instrument panel lights and the low beam on.
- In the left hand position the high beam is activated.
- In the right hand position the high beam flashes in case of danger or emergency.

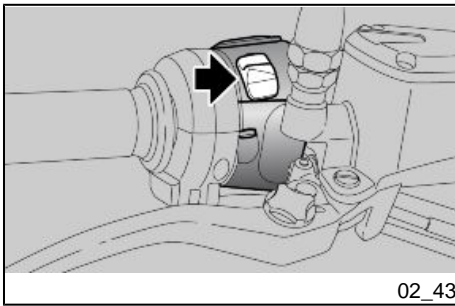


02\_42

## Passing button (02\_42)

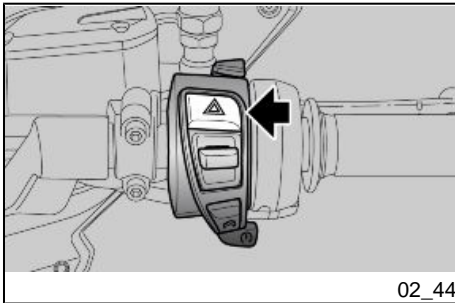
Uses the high beam flash in case of danger or emergency.

Releasing the switch deactivates the high beam flash.



### Daytime/night lights switch (02\_43)

- Directing the switch downward the rider, the night lights are activated
- Directing the switch to central position turns on the high beam/low beam night lights
- Directing the switch forwards activates the high beam/low beam lights and, where provided, the fog lights.



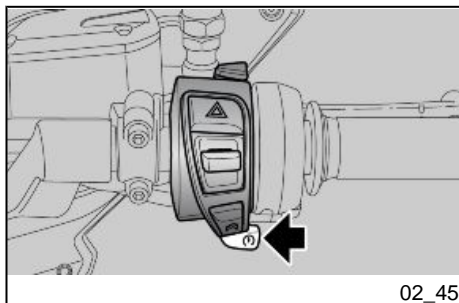
### Flasher button (02\_44)

By pressing the button, the four turn indicators and their warning lights on the panel are turned on at the same time. Pressing again deactivates the system. The HAZARD light remains on even after extracting the key but it cannot be deactivated.

If the key is switched to the OFF position, upon restarting the function will be deactivated.

### CAUTION

**IF A TURN INDICATOR IS SWITCHED ON WHILE THE HAZARD SYSTEM IS ACTIVE, THE HAZARD SYSTEM IS DISABLED TEMPORARILY UNTIL THE TURN INDICATOR IS RESET.**

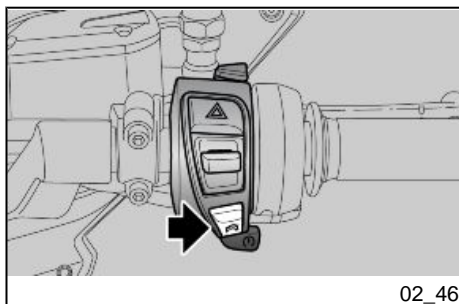


### Start-up button (02\_45)

By pressing the button, the starter motor will crank the engine, with the motor started, the engine calibrations selector function resumes.



**IT IS POSSIBLE TO START THE ENGINE WITH ONLY THE HANDLE THROTTLE RELEASED OR TURNED.**



### Engine stop switch (02\_46)

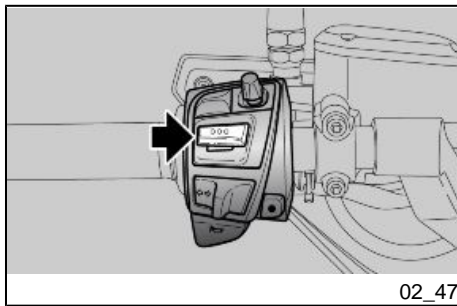
It acts as a safety or emergency switch.

Press this switch to stop the engine.

#### CAUTION



**DO NOT OPERATE THE ENGINE STOP SWITCH WHILE RIDING THE VEHICLE.**



02\_47



02\_48

## Button Cruise Control (02\_47, 02\_48)

Cruise control is an electronic system that keeps the vehicle at a constant speed selected by the rider.

To turn the system (switching from OFF to ON state) it is required to centrally press the cruise control selector with a long press (longer than 1 second), the system power is indicated by the warning light on the dashboard in flashing mode.

The system can be used in certain ranges of speeds for the gears from the third to the sixth, even during deceleration and with the throttle grip released.

### Minimum:

- 39 km/h (24.23 mph) for the third and fourth gear
- 42 km/h (26.10 mph) for the fifth gear
- 48 km/h (29.83 mph) for the sixth gear

### Maximum:

- 106 km/h (65.87 mph) for the third gear
- 127 km/h (79.91 mph) for the fourth gear
- 180 km/h (111.85 mph) for the fifth and sixth gears

After reaching the desired speed, the system can be activated (transition to SET state) by a short central press (less than 1 second) of the cruise control selector under the following conditions:

- The engaged gear cannot be less than the third and even in neutral;
- The brakes should not be operated;
- The clutch must not be operated;
- The speed conforms to the limit established for each gear

The indicator lamp on the instrument cluster lights continuously to indicate that the system is active.

The rider may now release the throttle grip, as the system will automatically maintain the set speed.

It is possible to increase or decrease the cruising speed by a short press (less than 1 second) of the cruise control switch up or down (increase / decrease the speed of 2 km/h (1.24 mph)) or via a long press (from 1 to 20 seconds) up or down (increase / decrease in the constant speed). The throttle may be used to increase speed temporarily by up to 30 km / h (18.64 mph) for the third, fourth and fifth gear and 40 km / h

(24.85 mph) for the sixth gear with respect to the selected speed without turning off the system (e.g. passing). If the increase in speed exceeds 30 km/h (18.64 mph) for the third, fourth and fifth gear and 40 km/h (24.85 mph) for the sixth gear, it will cause a system deactivation (change from SET to ON, flashing light). Released the throttle grip, the motorcycle will return to the selected cruising speed. Accelerating for a longer period or exceeding the maximum limit of 180 Km/h (111.85 MPH) causes the system to deactivate (switching from SET to ON status, or at flashing warning light).

The system is deactivated (change from SET to ON status) if any of the following conditions:

- By operating the clutch;
- Operating the front/rear brake;
- Inserting a lower gear than 3rd or shift into neutral;
- Pressing with a short central pressure the left selector;
- If the engine rpm limiter is activated;
- If the tracking control is activated;
- If climbs or particularly steep descents appear;
- Turning the throttle grip in the direction of contrary rotation

It is possible to reactivate the system, always respecting the conditions described above, via a long press (more than 1 second) of the selector if you want to reconfirm the last cruising speed used, or, by pressing the cruise control switch with a central prolonged press (greater than 1 second) to set a new cruising speed.

The system turns off completely (change from SET to the OFF state), then the stored speed is lost and the dashboard light goes off, if any of the following conditions are present:

- The cruise control selector is pressed centrally for long (more than 1 second);
- Run-off interrupter activated;
- Engine stop (Key-OFF);

## System ABS (02\_49)

The ABS system is a device that prevents wheel locking in case of an emergency braking, thus increasing vehicle stability when braking, compared with a conventional braking system.

The ABS system enhances control over the vehicle, taking into consideration never to exceed the physical limits of vehicle grip on the road. The rider is fully responsible for riding at a suitable speed based on weather and road conditions, always leaving an appropriate safety margin.

Under no circumstances can the ABS system compensate for the rider's misjudgment or improper use of brakes.

### NOTE

**WHEN THE ABS STARTS WORKING, A PULSING IS FELT ON THE BRAKE LEVER.**



**THE ANTILOCK BRAKING SYSTEM OF THE WHEEL DOES NOT PREVENT FALLS WHILE CORNERING.**

**AN EMERGENCY BRAKING WITH THE VEHICLE INCLINED, HANDLEBAR TURNED, ON UNEVEN OR SLIPPERY ROADS, OR WITH POOR GRIP, CREATES A LACK OF STABILITY DIFFICULT TO HANDLE. RIDE CAREFULLY AND SENSIBLY AND ALWAYS BRAKE GRADUALLY.**

**DO NOT SPEED RECKLESSLY. THE VEHICLE GRIP ON THE ROAD IS SUBJECT TO LAWS OF PHYSICS WHICH NOT EVEN THE ABS SYSTEM CAN ELIMINATE.**





02\_49

Upon starting the vehicle, after the initial instrument panel check, the ABS warning light flashes until a speed of 5 kph (3.11 mph) is exceeded and then it switches off or continues to flash even after exceeding the speed of 5 kph (3.11 mph).

If the ABS warning light continues flashing or is permanently on, a failure has been detected and the ABS has been automatically deactivated.

In this case carry out the following operations:

- stop the vehicle;
- OFF-ON key;
- ride over 5 km/h (3.11 mph): the ABS warning light must be turned off;
- ABS is functioning.

If the ABS disabled indication remains:

#### NOTE

**IF THIS OCCURS, CONTACT AN OFFICIAL Moto Guzzi dealer**

#### NOTE

**THE ABS SYSTEM HAS BEEN DESIGNED AND DEVELOPED, CONSISTENTLY WITH THE REST OF THE VEHICLE, TO BE USED ON TARMAC ROADS AND IT IS NOT SUITABLE FOR OFF-ROAD USE.**

**IF THE VEHICLE IS USED ON UNSURFACED AND/OR SPECIFICALLY ROUGH ROADS, THE ABS SYSTEM MAY GET DISABLED AUTOMATICALLY; IN ANY CASE, THE BRAKING SYSTEM WORKS PERFECTLY WELL AS A TRADITIONAL NON-ABS BRAKING SYSTEM AND PROVIDES A STANDARD STOP CAPACITY.**

**IN ORDER TO REACTIVATE THE SYSTEM JUST SHUT OFF AND START THE VEHICLE UP AGAIN AND RIDE OVER 5 km/h (3.11 mph).**



**THE ABS SYSTEM ACTS ON BOTH THE FRONT AND REAR WHEELS BY OBTAINING INFORMATION FROM THE ROTATION/ LOCKING TONE WHEELS. ALWAYS CHECK THAT THE TONE WHEEL IS CLEAN, AND REGULARLY CHECK THAT THE DISTANCE FROM THE SENSOR IS CONSTANT ON ALL 360 DEGREES. SHOULD THE WHEELS BE REMOVED AND REFITTED, IT IS VERY**

**IMPORTANT TO CHECK THAT THE DISTANCE BETWEEN TONE WHEEL AND SENSOR IS THE ONE SPECIFIED. FOR CHECKING AND ADJUSTMENT, CONTACT AN Authorised Moto Guzzi Garage.**



**IN THE CASE OF A MOTORCYCLE WITH THE ABS SYSTEM, BRAKE PADS WITH FRICTION MATERIALS THAT ARE NOT TYPE APPROVED WILL JEOPARDISE BRAKING, DRASTICALLY REDUCING RIDING SAFETY.**

#### **NOTE**

**THE SYSTEM'S SENSORS, HAVING A SIGNIFICANT ACCURACY OF READING THE TONE WHEELS, MAY GENERATE, A MOTORCYCLE STOPPED AND THE ENGINE RUNNING, INDICATION OF SPEED OF SOME km / h (mph) ON THE DIGITAL DISPLAY.**

**SUCH BEHAVIOUR IS TO BE CONSIDERED NORMAL AND DOES NOT CREATE MALFUNCTIONS IN THE SYSTEM.**



**IF THE GAP FOR ONE OR BOTH SENSORS IS NOT WITHIN THE TOLERANCE INDICATED BELOW, TAKE THE MOTORCYCLE TO AN Official Moto Guzzi Dealer**

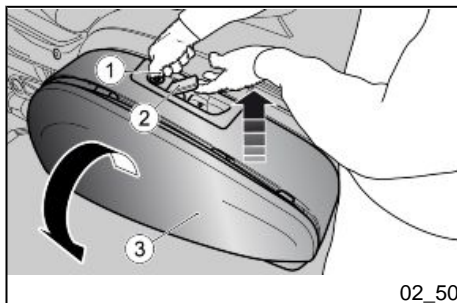
#### **Characteristic**

**Distance between tone wheel and front sensor**

0.3 - 2.00 mm (0.012 - 0.079 in)

**Distance between tone wheel and rear sensor**

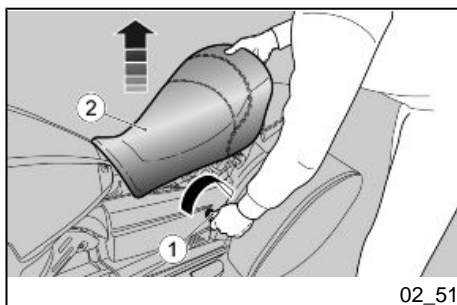
0.3 - 2.00 mm (0.012 - 0.079 in)



## Glove-box (02\_50)

### Side panniers cover opening

- Rest the vehicle on its stand.
- Introduce the key (1) in the lock near the pannier cover handle (2).
- Turn the key (1) anticlockwise.
- Lift the handle (2), freeing the lock from the hook of the cover (3).
- Open the cover (3).



## Opening the saddle (02\_51)

### To remove the saddle:

- Rest the vehicle on its stand.
- Insert the key (1) in the lock located on the left fairing.
- Turn the key (1) clockwise and remove the saddle (2).

There is a document compartment in the vehicle tail fairing. Remove the saddle (2) to reach it.

### To lock the saddle:

- Move the saddle (2) to fasten the front retainers correctly.
- Push the centre of the saddle (2), where the rear retainers are, to trip the lock.

### CAUTION

**BEFORE LOWERING AND LOCKING THE SADDLE, CHECK THAT THE IGNITION KEY HAS NOT BEEN LEFT THE KEY IN THE DOCUMENT COMPARTMENT.**



**BEFORE SETTING OFF, MAKE SURE THAT THE SADDLE IS CORRECTLY LOCKED INTO POSITION.**

## USB Port

In the central part of the dashboard, close to the steering, is a USB socket.

Lift the protective cover to use.

Via the USB port using a special cable, it is possible to charge a phone battery.



**TO AVOID THAT WATER AND/OR HUMIDITY CAN DAMAGE THE USB PORT, USE THE PROTECTIVE COVER EVEN WHEN THERE IS A DEVICE CONNECTED.**



**IF A USB DEVICE IS CONNECTED, ENSURE THE CORRECT POSITIONING OF THE CABLE TO AVOID THAT IT WILL BE SMASHED.**

The USB socket is active once the key is turned to «ON».

### **WARNING**

**PROLONGED USE OF THE PLUG SOCKET MAY RESULT IN PARTIAL DISCHARGE OF THE BATTERY.**

## Identification (02\_52, 02\_53)

Write down the chassis and engine number in the specific space in this booklet. The chassis number is handy when purchasing spare parts.

**CAUTION**

THE MODIFICATION OF THE IDENTIFICATION CODES IS A SERIOUS PUNISHABLE CRIME. HOWEVER, THE LIMITED WARRANTY FOR NEW VEHICLES WILL BE VOID IF THE VEHICLE IDENTIFICATION NUMBER (VIN) HAS BEEN MODIFIED OR NOT PROMPTLY DETERMINED.

**FRAME NUMBER**

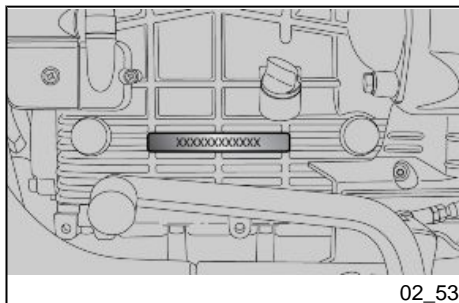
The chassis number is stamped on the right hand side of the headstock.

Chassis No. ....

**ENGINE NUMBER**

The engine number is printed on the base of the engine crankcase, left hand side.

Engine No. ....





# MGX-21



**Chap. 03**  
**Use**

## Checks (03\_01)

### CAUTION

BEFORE SETTING-OFF, ALWAYS CARRY OUT A PRELIMINARY CHECK OF THE VEHICLE, FOR CORRECT AND SAFE OPERATION. FAILURE TO DO SO MAY LEAD TO SEVERE PERSONAL INJURY OR VEHICLE DAMAGE. DO NOT HESITATE TO CONTACT AN Official Moto Guzzi Dealer IF YOU DO NOT UNDERSTAND HOW SOME CONTROLS WORK OR IF MALFUNCTIONING IS DETECTED OR SUSPECTED. CHECKS DO NOT TAKE LONG AND RESULT IN SIGNIFICANTLY ENHANCED SAFETY.



This vehicle has been programmed to indicate in real time any operation failure stored in the electronic control unit memory.

Every time the ignition switch is turned to "KEY ON", all alarm warning lights turn on for about three seconds on the instrument panel.

### PRE-RIDE CHECKS

Front and rear disc brake	Check for proper operation. Check brake lever empty travel and brake fluid level. Check for leaks. Check brake pads for wear.
---------------------------	---

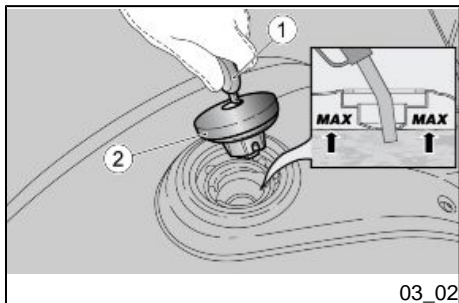
Engine oil	Check and/or top-up as required. When starting ensure that any
------------	--



	warning lights and/or symbols are turned off.
Wheels/ tyres	Check that tyres are in good conditions. Check inflation pressure, tyre wear and potential damage.
Centrifugal	Check for proper operation. Check clutch lever free play and fluid level. Check for leaks. The clutch must work without gripping and/or slipping.
Steering	Check that the rotation is uniform, smooth and there are no signs of clearance or slackness.
Side stand	Control scrolling during opening and closing and ensure that the two springs and its attachment points are intact. Lubricate couplings and joints if necessary.
Fuel tank	Check the coolant level and refill if necessary. Check any of the circuit losses. Check that the tank cap closes correctly.
Engine stop switch (ON - OFF)	Check function.
Lights, warning lights, horn, rear stop light switch and electrical devices	Check function of horn and lights. Replace bulbs or repair any faults noted.

Tone wheels

Check that the tone wheels are perfectly clean and in good conditions.



03\_02

## Refuelling (03\_02)

### To refuel:

- Introduce the key (1) in the fuel tank cap lock (2).
- Turn the key anticlockwise, then pull and remove the fuel cap.
- Refill.

### CAUTION



**ALWAYS USE PETROL WITH A MAXIMUM OF 10% BIOETHANOL CONTENT (E10).**

**DO NOT USE PETROL WITH AN ETHANOL CONTENT HIGHER THAN 10%; THIS USE COULD DAMAGE THE FUEL SYSTEM COMPONENTS AND/OR COMPROMISE ENGINE PERFORMANCE.**

### CAUTION



**DO NOT ADD ADDITIVES OR ANY OTHER SUBSTANCES TO THE FUEL.**  
**WHEN USING A FUNNEL, ENSURE THAT IT IS PERFECTLY CLEAN.**



**WHEN FILLING THE TANK COMPLETELY, DO NOT FILL BEYOND THE LOWER EDGE OF THE RECESS (SEE FIGURE).**

**DURING REFUELLING AVOID FUEL LEAKAGES, WHICH MAY CAUSE DAMAGE TO THINGS OR PERSONS AND FIRE HAZARD.**

**DURING REFUELLING, AVOID THE USE OF ELECTRIC DEVICES AND/OR MOBILE PHONES, BECAUSE FUEL VAPOURS MAY CAUSE DAMAGE TO OBJECTS AND/OR PERSONAL INJURIES.**

#### **NOTE**

**THE FUEL LEVEL INDICATION MAY CHANGE DEPENDING ON THE INCLINATION OF THE MOTORCYCLE WHEN IT IS ON THE SIDE STAND AS OPPOSED TO WHEN IT IS IN MOTION.**

#### **After refuelling:**

- The fuel cap (2) may only be refitted with the key (1) inserted.
- Insert the key (1) and fit the cap (2).
- Turn the key (1) clockwise and remove.



**MAKE SURE THE CAP IS TIGHTLY CLOSED.**

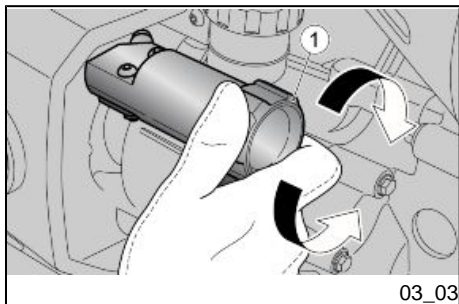
### **Characteristic**

#### **Fuel (reserve included)**

20.5 +/- 0.5 l (4.51 +/- 0.11 UK gal) (5.41 +/- 0.13 gal US)

#### **Fuel reserve**

5 l (1.10 UK gal) (1.32 gal US)



## Rear shock absorbers adjustment (03\_03)

The vehicle is provided with a register (1) for spring preload adjustment.

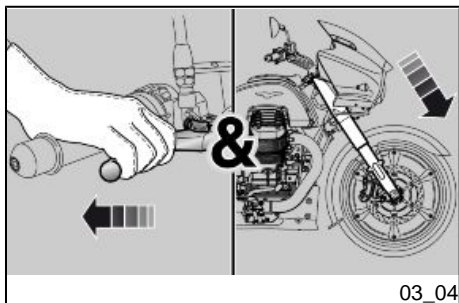
- In case of riding without luggage, single rider, the rider and passenger rotate the adjusting preload knob completely counter-clockwise (fully open).
- In case of riding with the panniers fully loaded (3 kg (6.61 lb) per side pannier) turn the adjusting preload knob by 10 clicks clockwise from fully open.

### CAUTION

**THE ADJUSTMENT AND PRELOAD IS REALIZED AT DISCRETION OF THE USER. Moto Guzzi ADVISES TO KEEP THE ADJUSTMENTS DESCRIBED ABOVE.**

### CAUTION

**TO PREVENT DAMAGE TO THE ADJUSTER SCREWS (1), NEVER FORCE THEM BEYOND THE END OF TRAVEL IN EITHER DIRECTION.**



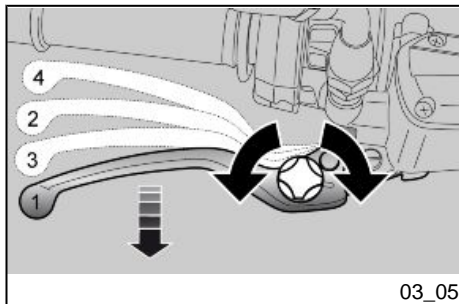
## Check front fork (03\_04)

Operating the front brake lever, press the handlebar repeatedly to send the fork fully down. The shock absorber should compress and extend smoothly with no signs of oil leakage on the stanchions.

Check the tightening of all the elements and the correct operation of the front and rear suspension joints.

### CAUTION

**TO HAVE THE FRONT FORK OIL AND OIL SEALS REPLACED, CONTACT AN Official Moto Guzzi Dealer.**



### Justering af greb til forbremse (03\_05)

It is possible to adjust the distance between the ends of the front brake lever and throttle grip by turning the adjuster.

#### Adjustment:

- push the brake lever forward and turn the set screw until the arrow points at the desired number.

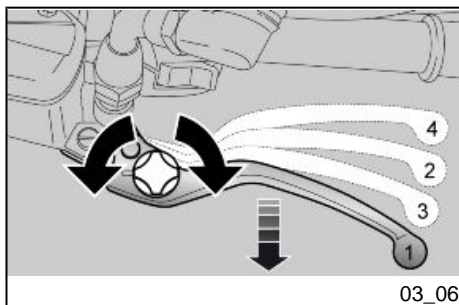
#### CAUTION

**IF THE FRONT BRAKE LEVER MUST BE REMOVED, CHECKED AND CHANGED BY AN Official Moto Guzzi Dealership**

### Rear brake pedal adjustment

#### CAUTION

**FOR REMOVAL AND REPLACEMENT OF REAR BRAKE PEDAL, CONTACT AN Official Moto Guzzi Dealer**



### Clutch lever adjustment (03\_06)

It is possible to adjust the distance between the end of the clutch lever and the left handle by turning the adjuster.

#### Adjustment:

- push the clutch lever forward and turn the set screw until the arrow points at the desired number.

**CAUTION**

**THE CLUTCH LEVER MUST BE REMOVED, CHECKED AND CHANGED BY AN Official Moto Guzzi Dealership**

**Running in**

Running in is essential to ensure the durability of the vehicle. During the first 1,500 Km (932.06 mi), observe the following rules to ensure the reliability and performance of the vehicle throughout its lifetime:

- Avoid full throttle starts and hard acceleration;
- Avoid hard or prolonged braking;
- Do not ride for prolonged periods at sustained high speed; preferably ride the motorcycle on varied routes with frequent, gentle acceleration and deceleration;
- Ride prudently to gradually gain familiarity with the motorcycle, testing progressively higher throttle apertures only as you gain confidence

**CAUTION**

**TRACTION CONTROL (MGCT) IS SET, AT THE END OF THE PRODUCTION OF THE VEHICLE, ON LEVEL «3» AND MUST BE KEPT ACTIVE FOR THE ENTIRE RUNNING PERIOD, TO ALLOW THE CORRECT ADJUSTMENT OF THE TYRES TO ASPHALT CONDITIONS.**

**THE SAME NOTE ALSO APPLIES WHEN CHANGING THE TYRES.**

**CAUTION**

**THIS VEHICLE IS EQUIPPED WITH A SINGLE DISC DRY CLUTCH. IN CERTAIN CONDITIONS, THE CLUTCH MAY EMIT A SLIGHT AND DISTINCTIVE ODOUR OF CLUTCH MATERIAL. THIS IS NORMAL AND IS NOT INDICATIVE OF A FAULT.**

**CAUTION**

**THE FULL PERFORMANCE OF THE VEHICLE IS ONLY AVAILABLE AFTER THE SERVICE AT THE END OF THE RUNNING IN PERIOD.**



**AFTER THE SPECIFIED MILEAGE, TAKE THE VEHICLE TO AN Official Moto Guzzi Dealer FOR THE CHECKS INDICATED IN THE "AFTER RUN-IN" TABLE IN THE SCHEDULED MAINTENANCE SECTION TO AVOID INJURING YOURSELF, OTHERS AND /OR DAMAGING THE VEHICLE.**

### **Starting up the engine (03\_07, 03\_08)**

This vehicle must be used with care, prudence and respect.



**EXHAUST FUMES CONTAIN CARBON MONOXIDE, AN EXTREMELY HARMFUL SUBSTANCE IF INHALED.**

**NEVER START THE ENGINE IN A CLOSED OR INSUFFICIENTLY VENTILATED SPACE.**

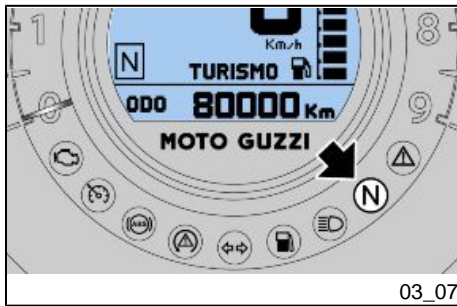


**FAILURE TO OBSERVE THIS WARNING COULD LEAD TO UNCONSCIOUSNESS AND EVEN DEATH DUE TO SUFFOCATION.**

#### **CAUTION**

**WITH THE SIDE STAND LOWERED, THE ENGINE MAY ONLY BE STARTED WITH THE GEARBOX IN NEUTRAL. IF YOU ATTEMPT TO ENGAGE THE GEAR, THE ENGINE WILL STOP.**

**WITH THE SIDE STAND RETRACTED, THE ENGINE MAY BE STARTED WITH THE GEARBOX IN NEUTRAL OR WITH THE GEAR ENGAGED AND THE CLUTCH LEVER OPERATED.**

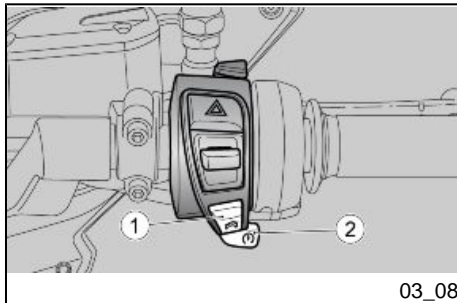


03\_07

- Get on the motorcycle, assuming the correct driving posture.
- Make sure that the side stand has been fully retracted.
- Operate the front or rear brake (or both).
- Operate the clutch lever and make sure that the transmission is in neutral. If the transmission is in neutral, the green coloured light "N" will turn on.
- Press the switch to stop the engine (1) and turn the ignition key to "ON".
- Press the starter button (2) once only.

At this stage:

- All warning lights and the backlighting will turn on for 3 seconds on the instrument panel.



03\_08



**IF THE LOW FUEL WARNING LIGHT ON THE INSTRUMENT PANEL TURNS ON, REFUEL THE VEHICLE AT ONCE.**



**DO NOT SET OFF SUDDENLY WHEN THE ENGINE IS COLD. RIDE AT LOW SPEED FOR SEVERAL KILOMETRES. THIS WILL ALLOW THE ENGINE TO WARM UP AND REDUCE POLLUTING EMISSIONS AND FUEL CONSUMPTION.**

### Moving off / riding (03\_09, 03\_10, 03\_11)



**IF THE LOW FUEL WARNING LIGHT ON THE INSTRUMENT PANEL TURNS ON, REFUEL THE VEHICLE AT ONCE.**

#### **WARNING**

**IF THE MOTORCYCLE TURNS OFF ACCIDENTALLY THE ECU ALLOWS A RESTART WITHIN THE NEXT 5 SECONDS. ONCE THIS PERIOD OF TIME HAS**



PASSED THE ECU WILL PREVENT STARTING FOR ANOTHER 3 SECONDS AND ONLY THEN WILL IT BE POSSIBLE TO START THE MOTORCYCLE.

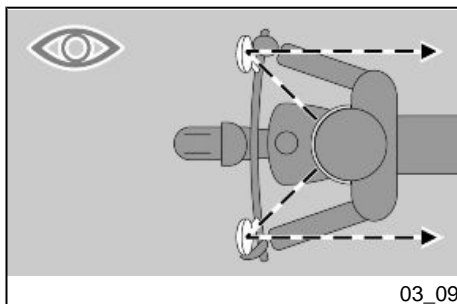
#### CAUTION

WHEN TRAVELLING WITHOUT PASSENGERS, MAKE SURE THE PASSENGER FOOTRESTS ARE FOLDED UP.

#### CAUTION

PASSENGERS MUST BE SUITABLY INSTRUCTED ON HOW TO BEHAVE TO PREVENT DANGEROUS SITUATIONS WHEN RIDING.

BEFORE SETTING OFF, MAKE SURE THE STAND HAS BEEN COMPLETELY RETRACTED TO ITS POSITION.



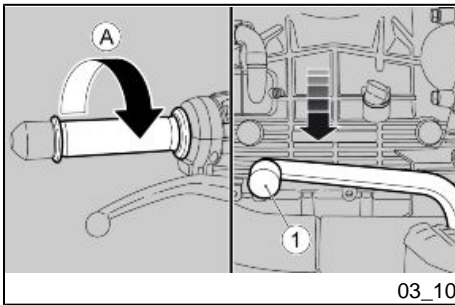
#### To start:

- Turn on the engine.
- Adjust the inclination of the rear-view mirrors to ensure proper visibility.

#### CAUTION



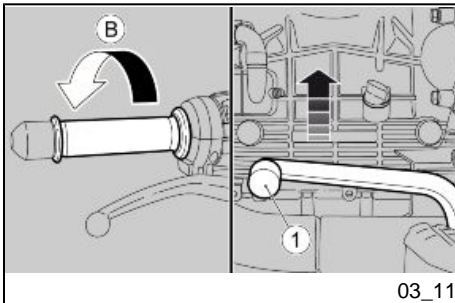
WITH THE VEHICLE AT STANDSTILL, PRACTICE USING THE REAR-VIEW MIRRORS. THE MIRRORS ARE CONVEX, SO OBJECTS MAY SEEM FARTHER AWAY THAN THEY REALLY ARE. THESE MIRRORS OFFER A WIDE-ANGLE VIEW AND ONLY EXPERIENCE HELPS YOU JUDGE THE DISTANCE SEPARATING YOU AND THE VEHICLE BEHIND.



- With a closed throttle grip (Pos. A) and the engine idling, pull the clutch lever.
- Push the gearbox lever (1) downward to select the first gear.
- Release the clutch lever (activated during start-up).

#### CAUTION

**WHEN TURNING OFF THE VEHICLE, DO NOT RELEASE THE CLUTCH TOO QUICKLY OR SUDDENLY, AS THIS COULD CAUSE THE ENGINE TO STOP OR THE VEHICLE TO REAR UP ON THE BACK WHEEL. DO NOT ACCELERATE SUDDENLY WHEN RELEASING THE CLUTCH FOR THE SAME REASON.**



- Slowly release the clutch lever and accelerate by slightly turning the throttle grip at the same time (Pos. B).

The vehicle starts moving forward.

- For the first kilometres travelled, limit the speed in order to warm up the engine.
- Speed up by gradually turning the throttle grip (Pos. B) without exceeding the recommended revs.



**RIDE IN THE CORRECT GEAR AND SPEED FOR THE CONDITIONS.  
DO NOT OPERATE THE THROTTLE GRIP ABRUPTLY.**

- Release the throttle grip (Pos. A), operate the clutch lever and lift the gear control lever (1), release the clutch lever and accelerate.
- Repeat the last two operations and engage a higher gear.



**IT IS SUGGESTED TO GO UP TO A HIGHER GEAR THAN TO A LOWER GEAR:**

- When riding downhill and under braking, using engine compression to increase braking power.
- When going uphill, when the engaged gear does not suit the speed (high gear, moderate speed) and the number of engine revs falls.

**CAUTION**

**DOWNSHIFT ONE GEAR AT A TIME; WHEN SHIFTING TO A LOWER GEAR, DOWNSHIFTING MORE THAN ONE GEAR AT A TIME COULD OVERREV THE ENGINE; THAT IS, THE MAXIMUM RPM VALUE PERMITTED FOR THE ENGINE COULD BE EXCEEDED.**

- Release the throttle grip (Pos. A).
- If necessary, pull the brake levers gently and reduce speed.
- Operate the clutch lever and lower the gearshift lever (1) to engage a lower gear.
- Release the brake levers when it is operated.
- Release the clutch lever and accelerate moderately.



**IN ORDER TO AVOID CLUTCH OVERHEATING, SHUT THE ENGINE OFF AS SOON AS POSSIBLE ONCE THE VEHICLE HAS STOPPED AND AT THE SAME TIME THE GEAR IS ENGAGED AND THE CLUTCH LEVER OPERATED.**



**OPERATE THE FRONT OR THE REAR BRAKE ONLY SIGNIFICANTLY REDUCES THE BRAKING FORCE OF THE VEHICLE.**

**WHEN STOPPING UPHILL, DECELERATE COMPLETELY AND ONLY USE THE BRAKES TO MAINTAIN THE VEHICLE IN THE STOPPED POSITION.**

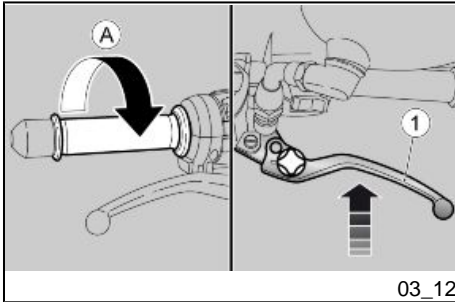
**USING THE ENGINE TO KEEP THE MOTORCYCLE STOPPED COULD CAUSE THE CLUTCH TO OVERHEAT. BRAKING CONTINUOUSLY WHEN DRIVING**

**DOWNHILL COULD CAUSE THE BRAKE PADS TO OVERHEAT, WHICH REDUCES BRAKING AND LIMITS BRAKING POWER.**

**IT IS RECOMMENDED TO USE THE ENGINE COMPRESSION, DOWNSHIFTING AND USING BOTH BRAKES INTERMITTENTLY.**

**WHEN DRIVING DOWNHILL, NEVER RIDE WITH THE ENGINE TURNED OFF.**

**WHEN RIDING ON WET SURFACES OR SURFACES WITH POOR GRIP (SNOW, ICE, MUD, ETC.) USE MODERATE SPEED, AVOID SUDDEN BRAKING OR MANOEUVRES THAT MAY CAUSE TO A LOSS OF TRACTION AND POSSIBLY TO A FALL OR CRASH.**



### **Stopping the engine (03\_12)**

- Release the throttle grip (Pos. A), brake gradually and simultaneously downshift to slow down.

**Once the speed is reduced, before stopping the vehicle:**

- Operate the clutch lever (1) so that engine does not shut off.

**When the vehicle is at standstill:**

- Set the gearshift lever in neutral (green "N" indicator light lit).
- Release the clutch lever (1).
- While at a temporary halt, keep at least one of the vehicle brakes held.

#### **CAUTION**



**WHENEVER POSSIBLE, AVOID ROUGH BRAKING, SUDDEN DECELERATION AND BRAKING IN EXCESS.**

## Parking

It is very important to select an adequate parking spot, in compliance with road signals and the guidelines described below.

### CAUTION

**PARK ON SAFE AND LEVEL GROUND TO PREVENT THE VEHICLE FROM FALLING.**

**DO NOT LEAN THE VEHICLE AGAINST A WALL OR LAY IT ON THE GROUND.**

**ENSURE THAT THE VEHICLE AND, IN PARTICULAR, PARTS OF THE VEHICLE WHICH MAY BECOME HOT (ENGINE, OIL RADIATOR AND LINES, EXHAUST SYSTEM, BRAKE DISCS) ARE NOT A HAZARD TO PERSONS OR CHILDREN. DO NOT LEAVE YOUR VEHICLE UNATTENDED WITH THE ENGINE ON OR THE KEY IN THE IGNITION SWITCH.**

### CAUTION

**IF THE VEHICLE FALLS OR IS ON A STEEP INCLINE FUEL CAN LEAK.**

**FUEL USED TO DRIVE INTERNAL COMBUSTION ENGINES IS HIGHLY FLAMMABLE AND CAN BECOME EXPLOSIVE UNDER CERTAIN CONDITIONS.**



**DO NOT REST THE RIDER OR PASSENGER WEIGHT ON THE SIDE STAND.**

## Catalytic silencer

The vehicle has silencers with a "platinum - palladium - rhodium three-way" metal catalytic converter.

This device oxidises the CO (carbon monoxide) producing carbon dioxide, and the UHC (unburned hydrocarbons) producing water vapour and reduces NOx (nitrogen oxide) producing oxygen and nitrogen present in the exhaust fumes.



**DO NOT PARK THE VEHICLE NEAR DRY BRUSHWOOD OR IN PLACES EASILY ACCESSIBLE BY CHILDREN BECAUSE THE CATALYTIC CONVERTER REACHES HIGH TEMPERATURES DURING VEHICLE OPERATION; FOR THIS REASON, PAY UTMOST ATTENTION AND DO NOT TOUCH IT UNTIL IT HAS COMPLETELY COOLED DOWN.**



**DO NOT USE LEADED PETROL AS IT CAUSES IRREPARABLE DAMAGE TO THE CATALYTIC CONVERTER.**

Vehicle owners are warned that the law may prohibit the following:

- the removal of any device or element belonging to a new vehicle or any other action by anyone leading to render it non-operating, if not for maintenance, repair or replacement reasons, in order to control noise emission before the sale or delivery of the vehicle to the ultimate buyer or while it is used;
- using the vehicle after that device or element has been removed or rendered non-operating.

Check the exhaust silencer and the silencer pipes, ensuring there are no signs of penetrative corrosion and that the exhaust system works properly.

If the noise produced by the exhaust system increases, get immediately in touch with the Dealer or with a Moto Guzzi authorised repair shop.

#### **NOTE**

**DO NOT TAMPER WITH THE EXHAUST SYSTEM.**

## Stand (03\_13, 03\_14)



**BEFORE SETTING OFF, MAKE SURE THE STAND HAS BEEN COMPLETELY RETRACTED TO ITS POSITION.**

**DO NOT REST THE RIDER OR PASSENGER WEIGHT ON THE SIDE STAND.**



**THE SIDE STAND MUST ROTATE FREELY. IF NECESSARY GREASE THE JOINT.**

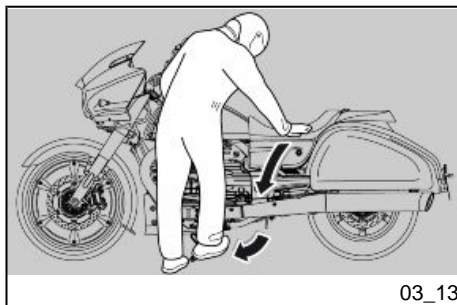
### SIDE STAND

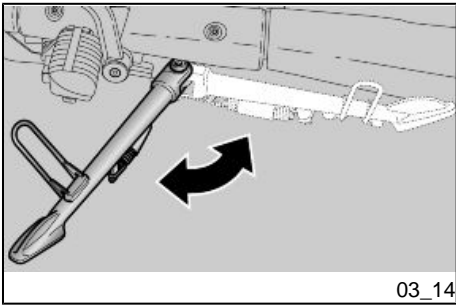
If the stand has been folded up for any manoeuvre (for example, when the vehicle is in motion), place the vehicle on the stand again as follows:

- Grasp the left grip and put the right hand on the upper rear part of the vehicle.
- Push the side stand with your right foot to fully extend the stand.
- Lean the vehicle until the stand touches the ground.
- Turn the handlebar fully leftwards.

### CAUTION

**MAKE SURE THE VEHICLE IS STABLE.**





A safety switch is installed on the side stand to inhibit ignition or to stop the engine when a gear is engaged and the side stand is lowered.

### Suggestion to prevent theft

#### CAUTION

**WHEN USING A DISC LOCKING DEVICE, PAY UTMOST ATTENTION TO REMOVE IT BEFORE RIDING. FAILURE TO OBSERVE THIS WARNING MAY CAUSE SERIOUS DAMAGE TO THE BRAKING SYSTEM AND ACCIDENTS WITH CONSEQUENT PHYSICAL INJURIES OR EVEN DEATH.**

NEVER leave the ignition key in the lock and always use the steering lock. Park the vehicle in a safe place such as a garage or a place with guards. Whenever possible, use an additional anti-theft device. Make sure all vehicle documents are in order and the road tax paid. Write down your personal details and telephone number on this page to help identifying the owner in case of vehicle retrieval after a theft.

LAST NAME: .....

NAME: .....

ADDRESS: .....

TELEPHONE NO.: .....



**WARNING**

**IN MANY CASES, STOLEN VEHICLES CAN BE IDENTIFIED BY DATA IN THE USE / MAINTENANCE BOOKLET.**

**Safe driving**

Some simple tips are provided below that will enable you to use your motorcycle on a daily basis in greater safety and peace of mind. Your skill and your mechanical knowledge are the basis of a safe ride. We recommend trying out the motorcycle in traffic-free zones to familiarise with it.

1. Before starting to ride, remember to put on your helmet and fasten it correctly.
2. Slow down and drive carefully over bumpy roads.
3. After driving over a long stretch of wet road without using the brakes, braking will not be as efficient the first time/s you use them again. When driving under conditions like this, you should brake periodically.
4. Although the vehicle is equipped with an ABS system, pay attention when braking on wet surfaces, on dirt or on a slippery road surface.
5. Avoid riding off by mounting the scooter when it is resting on its support.
6. When riding on roads covered with sand, mud, snow mixed with salt, etc. We recommend cleaning the brake discs frequently with a non-corrosive detergent in order to prevent corrosive particles from building up in the holes, which may cause early brake pad wear.

**CAUTION**

**TRACTION CONTROL (MGCT) IS SET, AT THE END OF THE PRODUCTION OF THE VEHICLE, ON LEVEL «3» AND MUST BE KEPT ACTIVE FOR THE ENTIRE RUNNING PERIOD, TO ALLOW THE CORRECT ADJUSTMENT OF THE TYRES TO ASPHALT CONDITIONS.**

**THE SAME NOTE ALSO APPLIES WHEN CHANGING THE TYRES.**

**CAUTION**

**TO ALLOW THE QUICK REACHING OF THE PERFECT GRIP OF NEW TYRES AT THE FIRST MILEAGE, IT IS RECOMMENDED A PARTICULARLY CAREFUL GUIDE OF THE MOTORCYCLE, AVOIDING SUDDEN STEERING OR VIOLENT ACCELERATION AND BRAKING.**

**CAUTION**

**ALWAYS RIDE WITHIN YOUR LIMITS. RIDING UNDER THE INFLUENCE OF ALCOHOL OR OTHER DRUGS AND CERTAIN MEDICINES IS EXTREMELY DANGEROUS.**

**CAUTION**

**ANY ELABORATION THAT MODIFIES THE VEHICLE'S PERFORMANCES, SUCH AS TAMPERING WITH ORIGINAL STRUCTURAL PARTS IS STRICTLY FORBIDDEN BY LAW, AND RENDERS THE MOTORCYCLE NO LONGER CONFORMING TO THE APPROVED TYPE AND DANGEROUS FOR RIDING.**

**CAUTION**

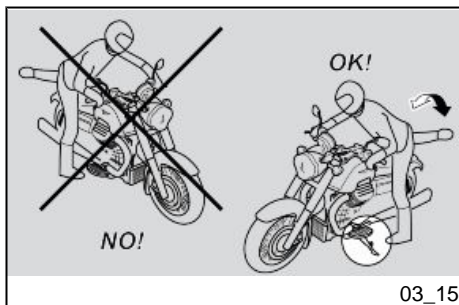
**DO NOT ADJUST THE MIRRORS WHILE DRIVING. THIS COULD CAUSE YOU TO LOOSE CONTROL OF THE MOTORCYCLE.**

**CAUTION**

**THE VEHICLE MUST BE GUIDED BY THE EXTENT REQUIRED BY LAW. IF RIDING THE MOTORCYCLE EQUIPPED WITH Moto Guzzi ORIGINAL ACCESSORIES PROVIDED FOR THE DEDICATED MODEL (INCREASED WINDSHIELD) MODERATE THE MAXIMUM SPEED WITHIN 160 km/h (99.45 mph).IN CASE OF NON-ORIGINAL ACCESSORIES INSTALLED ON MOTORCYCLE, ABNORMAL LOAD, IF IT IS NOT IN OPTIMAL GENERAL CONDITIONS, UNDER ADVERSE WEATHER CONDITIONS, THE SPEED SHOULD BE FURTHER REDUCED.**

**CAUTION**

**STOP THE VEHICLE MAINLY USING THE FRONT BRAKE. THE REAR BRAKE MUST ONLY BE USED TO BALANCE THE BRAKING EFFECT, AND ONLY TOGETHER WITH THE FRONT BRAKE.**



03\_15

**Basic safety rules (03\_15, 03\_16, 03\_17, 03\_18, 03\_19)**

The following recommendations should receive your maximum attention, because they are provided to increase your safety, and decrease damage to people, things and vehicles, in the case of a fall of the rider or passenger from the vehicle and/or from the fall or overturning of the vehicle.

Mounting and dismounting the vehicle should always be performed with total freedom of movement and with the hands free of all objects. (i.e.- objects, helmet, gloves, or glasses).

Mount and dismount only on the left side of the vehicle, and only with the side stand lowered.

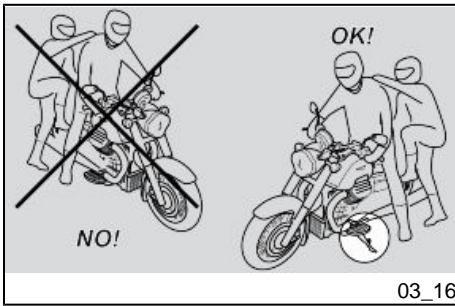
The stand is designed to support the weight of the vehicle and a small additional weight, which does not include the rider and passenger.

Mounting into driving position, with the side stand in place, is permitted only to prevent the possibility of the vehicle falling or overturn, and does not indicate the possibility for the rider and passenger's weight to be placed on the side stand.

During mounting and dismounting the vehicle's weight can cause a loss of balance, with consequent loss of equilibrium and the possibility of falling or overturning.

**CAUTION**

**THE RIDER MUST GET ON THE VEHICLE FIRST AND GET OFF LAST TO BE ABLE TO CONTROL AND BALANCE THE VEHICLE WHILE THE PASSENGER IS GETTING ON OR OFF THE VEHICLE**



In any case, the passenger should mount and dismount the vehicle using caution to avoid causing the vehicle or the rider to lose balance.

#### **CAUTION**

**THE RIDER TO INSTRUCT THE PASSENGER ABOUT THE PROPER WAY TO MOUNT AND DISMOUNT FROM THE VEHICLE.**

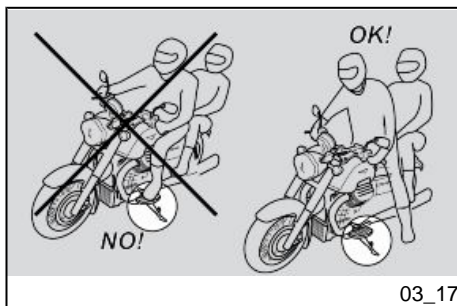
**THE VEHICLE INCLUDES PASSENGER FOOTRESTS WHICH SHOULD BE USED DURING MOUNTING AND DISMOUNTING. THE PASSENGER SHOULD ALWAYS USE THE LEFT FOOTREST FOR MOUNTING AND DISMOUNTING FROM THE VEHICLE.**

**DO NOT DISMOUNT OR EVEN ATTEMPT TO DISMOUNT BY JUMPING OR STRETCHING OUT YOUR LEG IN ORDER TO TOUCH THE GROUND. IN BOTH CASES THE STABILITY AND EQUILIBRIUM OF THE VEHICLE COULD BE COMPROMISED.**

#### **CAUTION**

**BAGGAGE OR OBJECTS ATTACHED TO THE REAR PART OF THE VEHICLE CAN CREATE AN OBSTACLE DURING MOUNTING AND DISMOUNTING FROM THE VEHICLE.**

**IN ALL CASES, THINK AHEAD AND MOVE YOUR RIGHT LEG CAREFULLY, AS IT WILL HAVE TO AVOID AND CLEAR THE REAR PART OF THE VEHICLE (INCLUDING BAGGAGE AND THE TAIL FAIRING) WITHOUT CAUSING LOSS OF BALANCE.**



03\_17

### MOUNTING

- Grip the handlebar properly and mount the vehicle without placing your weight upon the side stand.

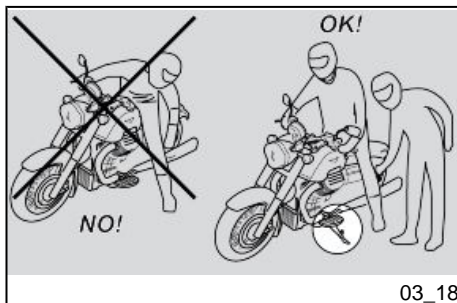
### CAUTION

**IN THE CASE THAT YOU ARE NOT ABLE TO REST BOTH FEET ON THE GROUND, PUT THE RIGHT FOOT ON THE GROUND, (IN THE CASE OF A LOSS OF BALANCE THE LEFT SIDE IS "PROTECTED" BY THE SIDE STAND) AND KEEP YOUR LEFT FOOT READY TO BE POSITIONED.**

- Place both feet on the ground and straighten the vehicle into the driving position, always maintaining its equilibrium.

### CAUTION

**THE RIDER SHOULD NOT OPEN OR TRY TO OPEN THE PASSENGER FOOTRESTS FROM THE RIDER'S SEAT, AS IT COULD COMPROMISE THE STABILITY AND EQUILIBRIUM OF THE VEHICLE.**



03\_18

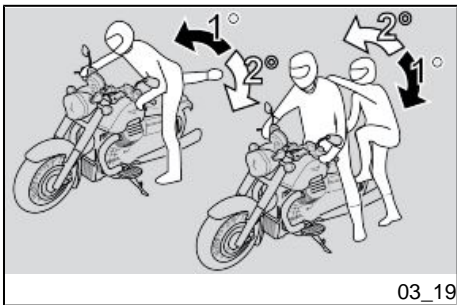
- Have the passenger open the two passenger foot pegs.
- Show the passenger how to mount the vehicle.
- Use your left foot to push on the side stand and make it fully return to its position.

### DISMOUNTING

- Select an appropriate parking spot.
- Stop the vehicle.



**MAKE SURE THAT THE GROUND ON WHICH THE MOTORCYCLE IS PARKED IS FIRM, EVEN AND FREE OF OBSTACLES.**



- Use the heel of your left foot to completely open the side stand.

#### CAUTION

**IN THE CASE THAT YOU ARE NOT ABLE TO REST BOTH FEET ON THE GROUND, PUT THE RIGHT FOOT ON THE GROUND, (IN THE CASE OF A LOSS OF BALANCE THE LEFT SIDE IS "PROTECTED" BY THE SIDE STAND) AND KEEP YOUR LEFT FOOT READY TO BE POSITIONED.**

- Place both feet on the ground and keep the vehicle balanced in the driving position.
- Show the passenger how to dismount from the vehicle.



**RISK OF FALLING OR OVERTURNING.**

**MAKE SURE THE PASSENGER HAS COME DOWN FROM THE VEHICLE.**

**DO NOT PLACE YOUR WEIGHT UPON THE SIDE STAND.**

- Lean the motorcycle until the stand touches the ground.
- Correctly grip the handlebar, and dismount from the vehicle.
- Turn the handlebar completely to the left.
- Place the passenger footrest in its place.

#### CAUTION



**MAKE SURE THE VEHICLE IS STABLE.**

# MGX-21



**Chap. 04**  
**Maintenance**

## Foreword

In general terms, scheduled maintenance can be carried out by the owner; however, some operations may require specific tools and technical training. For periodic maintenance, servicing or technical advice, contact an **Official Moto Guzzi Dealer** for prompt and accurate service.

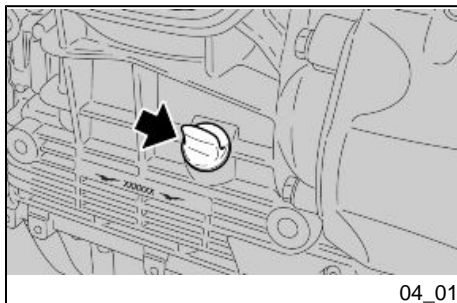
### WARNING

**THIS VEHICLE HAS BEEN PROGRAMMED TO INDICATE IN REAL TIME ANY ACTIVATION FAILURE STORED IN THE ELECTRONIC CONTROL UNIT MEMORY.**

**ANY TIME THE IGNITION SWITCH IS SET TO "ON", THE "GENERAL ALARM" WARNING LIGHT ON THE INSTRUMENT PANEL TURNS ON FOR THREE SECONDS. IF THE WARNING LIGHT TURNS OFF, IT MEANS THAT THERE ARE NO MALFUNCTIONS.**

### NOTE

**CARRY OUT MAINTENANCE OPERATIONS AT HALF THE INTERVALS SPECIFIED IF THE VEHICLE IS USED IN PARTICULAR RAINY OR DUSTY CONDITIONS, OFF ROAD OR FOR TRACK USE.**



## Engine oil level check (04\_01, 04\_02)

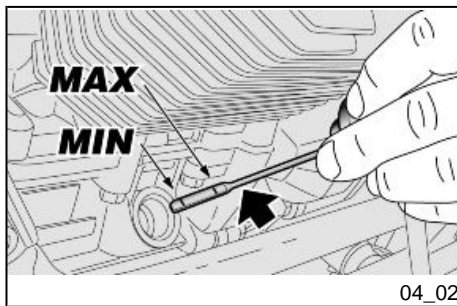
Check the engine's oil level according to instructions provided in the scheduled maintenance chart.

**To check:**





**THE ENGINE'S OIL LEVEL CHECK MUST BE REALIZED WITH THE ENGINE HOT OR AFTER RUNNING FOR ABOUT 15 km (9.32 mi), OUT OF TOWN (ENOUGH TO WARM UP ENGINE OIL).**



- Shut off the engine.
- Keep the vehicle upright with both wheels on the ground.
- Unscrew and remove the filler plug / oil dipstick, and wipe it clean.
- Fit the oil filler plug / oil dipstick and tighten fully.
- Unscrew and remove the filler plug / oil dipstick and check that the oil level is correct.

'MAX' = maximum level.

'MIN' = minimum level.

The difference between 'MAX' and 'MIN' marks is approx. 700 cm<sup>3</sup> (42.72 cu in)

- The oil level is correct when it is close to the 'MAX' mark.

#### CAUTION



**DO NOT GO BEYOND THE "MAX" AND BELOW THE "MIN" LEVEL MARK TO AVOID SEVERE ENGINE DAMAGE.**

### Engine oil top-up

**Fill with engine oil as required:**

- Remove the filler plug / oil dipstick.



**DO NOT ADD ADDITIVES OR ANY OTHER SUBSTANCES TO THE OIL.**

**When using a funnel or any other element, make sure it is perfectly clean.**

**CAUTION**

**USE HIGH-QUALITY 10W - 60 OIL.**

- Top up oil until reaching the correct level.

### **Engine oil change**

**CAUTION**

**THE ENGINE OIL MUST BE CHECKED AND CHANGED BY AN Official Moto Guzzi Dealership**

### **Engine oil filter replacement**

**CAUTION**

**THE ENGINE OIL FILTER MUST BE CHECKED AND CHANGED BY AN Official Moto Guzzi Dealership**

## Bevel gear pair oil level

### CAUTION

THE CARDAN OIL MUST BE CHECKED AND CHANGED BY AN Official Moto Guzzi Dealership

## Gearbox oil level

### CAUTION

THE GEARBOX OIL MUST BE CHECKED AND CHANGED BY AN Official Moto Guzzi Dealership.

## Tyres (04\_03, 04\_04, 04\_05)

This vehicle is fitted with tyres without inner tubes (Tubeless).

### CAUTION

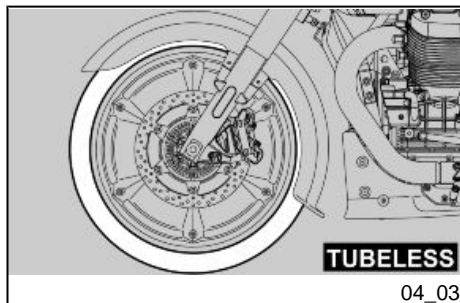
TRACTION CONTROL (MGCT) IS SET, AT THE END OF THE PRODUCTION OF THE VEHICLE, ON LEVEL «3» AND MUST BE KEPT ACTIVE FOR THE ENTIRE RUNNING PERIOD, TO ALLOW THE CORRECT ADJUSTMENT OF THE TYRES TO ASPHALT CONDITIONS.

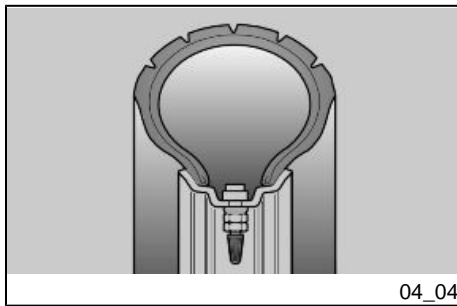
THE SAME NOTE ALSO APPLIES WHEN CHANGING THE TYRES.

### CAUTION



TO ALLOW THE QUICK REACHING OF THE PERFECT GRIP OF NEW TYRES AT THE FIRST MILEAGE, IT IS RECOMMENDED A PARTICULARLY CAREFUL GUIDE OF THE MOTORCYCLE, AVOIDING SUDDEN STEERING OR VIOLENT ACCELERATION AND BRAKING.





#### CAUTION

CHECK TYRE INFLATION PRESSURE REGULARLY AT AMBIENT TEMPERATURE. THE MEASUREMENT MAY BE INCORRECT IF TYRES ARE WARM. CHECK TYRE PRESSURE MAINLY BEFORE AND AFTER A LONG TRIP. AN OVER-INFLATED TYRE WILL PROVIDE A HARSH RIDE AS SURFACE UNEVENNESS IS NOT CUSHIONED AND IS SENT TO THE HANDLEBAR, THUS REDUCING GRIP AND ROAD HOLDING SPECIALLY WHEN CORNERING.

ON THE OTHER HAND, AN UNDER-INFLATED TYRE CAUSES THE CONTACT PATCH TO INCLUDE A LARGER PORTION OF THE TYRE SIDE WALLS. IF SO, THE TYRE MIGHT SLIP ON OR GET DETACHED FROM THE WHEEL RIM, RESULTING IN LOSS OF CONTROL OVER THE VEHICLE.

TYRES MAY EVEN DETACH FROM THE WHEEL RIMS UNDER VERY HARD BRAKING.

EVENTUALLY THE VEHICLE MIGHT SKID IN A BEND.

CHECK THE SURFACE CONDITION AND WEAR BECAUSE POOR TYRE CONDITION COULD COMPROMISE GRIP AND HANDLING OF THE VEHICLE.

SOME TYRE TYPES APPROVED FOR THIS VEHICLE FEATURE WEAR INDICATORS.

THERE ARE SEVERAL TYPES OF WEAR INDICATORS. CONSULT YOUR DEALER ON METHODS TO CHECK FOR WEAR.

CARRY OUT A VISUAL INSPECTION FOR TYRE WEAR AND TEAR, REPLACE TYRES WHEN WORN.

WHEN TYRES ARE OLD, THE MATERIAL MAY HARDEN AND NOT PROVIDE ADEQUATE ROAD HOLDING, EVEN IF TYRES ARE STILL WITHIN THE WEAR LIMIT. REPLACE TYRES IF THIS OCCURS. REPLACE THE TYRE IF IT IS WORN OR IF THERE IS A PUNCTURE LARGER THAN 5 mm (0.197 in) IN THE TREAD AREA.

WHEEL MUST BE BALANCED AFTER A TYRE IS MENDED.

USE ONLY TYRE SIZES INDICATED BY THE MANUFACTURER. DO NOT FIT TYRES WITH INNER TUBES ON RIMS FOR TUBELESS TYRES OR VICE VERSA.

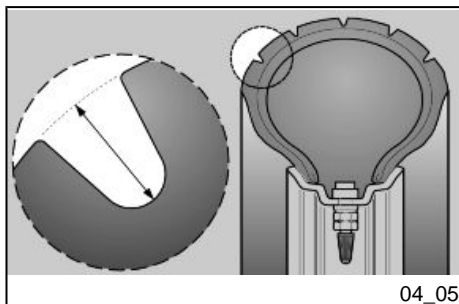
**CHECK THAT THE INFLATION VALVES HAVE THEIR CAPS FITTED TO AVOID UNEXPECTED FLAT TYRES.**

**REPLACEMENT, REPAIR, MAINTENANCE AND BALANCING OPERATIONS ARE HIGHLY IMPORTANT AND SO THEY SHOULD BE CARRIED OUT USING THE SPECIFIC TOOLS AND WITH THE ADEQUATE KNOWLEDGE. HAVE YOUR TYRES AND WHEELS SERVICED AT AN OFFICIAL DEALER OR A SPECIALISED TYRE WORKSHOP.**

**NEW TYRES MAY BE COATED WITH AN OILY FILM: RIDE WITH CAUTION DURING THE FIRST KILOMETRES. DO NOT APPLY UNSUITABLE LIQUIDS ON TYRES.**

**WHEN TYRES ARE OLD, THE MATERIAL MAY HARDEN AND NOT PROVIDE ADEQUATE ROAD HOLDING, EVEN IF TYRES ARE STILL WITHIN THE WEAR LIMIT.**

**SHOULD THIS OCCUR, REPLACE THE TYRES.**



**Minimum tread depth:**

front and rear 2 mm (0.079 in) (USA 3 mm) (USA 0.118 in) and anyway not lower to what it is specified in the current legislation in the country in which the vehicle is used.

## Spark plug dismantlement

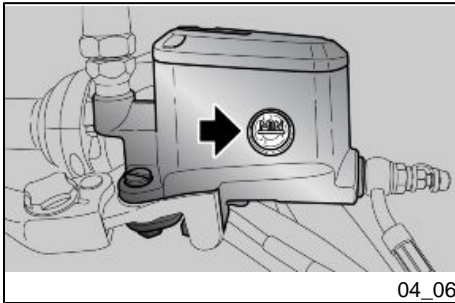
### CAUTION

FOR REMOVAL, CHECK, AND REPLACEMENT OF THE SPARK PLUGS CONTACT AN OFFICIAL Moto Guzzi Dealer.

## Removing the air filter

### CAUTION

TO REMOVE, CHECK AND REPLACE THE AIR FILTER, CONTACT AN Official Moto Guzzi Dealer.



## Checking the brake oil level (04\_06, 04\_07)

### Front brake fluid check

- Rest the vehicle on its stand.
- Turn the handlebar so that the fluid is at the same level as the plug
- Make sure that the fluid level in the reservoir is above the "MIN" reference mark

**MIN** = minimum level

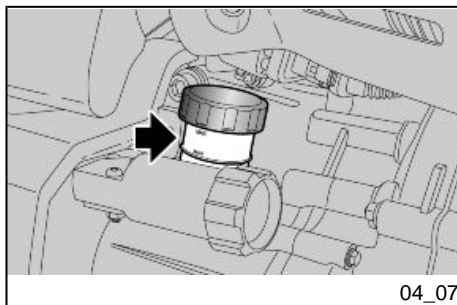
If the fluid does not reach at least the "MIN" reference mark:

### CAUTION

**FLUID LEVEL DECREASES GRADUALLY AS BRAKE PADS WEAR DOWN.**

- Check brake pads and discs for wear.

If the brake pads and/or brake discs do not have to be replaced, have the braking system checked at an **Official Moto Guzzi Dealership**.



#### Rear brake fluid check

- Keep the vehicle upright so that the fluid in the reservoir is at the same level as the plug.
- Make sure that the fluid level in the reservoir is above the "MIN" reference mark:

**MIN** = minimum level

**MAX** = maximum level

If the fluid does not reach at least the "MIN" reference mark:

#### CAUTION

**FLUID LEVEL DECREASES GRADUALLY AS BRAKE PADS WEAR DOWN.**

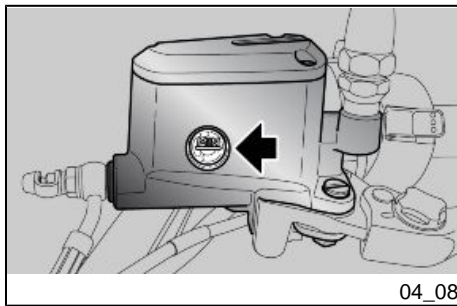
- Check brake pads and discs for wear.

If the brake pads and/or brake discs do not have to be replaced, have the braking system checked at an **Official Moto Guzzi Dealership**.

#### Braking system fluid top up

#### CAUTION

**FOR THE TOP-UP OF THE BRAKING SYSTEMS COOLANT, CONTACT AN Official Moto Guzzi Dealer.**



## Checking clutch fluid (04\_08)

### Clutch fluid level check

- Rest the vehicle on its stand.
- Turn the handlebar so that the fluid is at the same level as the plug
- Check that the fluid contained in the tank (1) exceeds the 'MIN' level reference mark

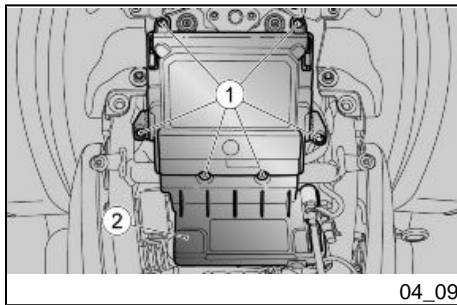
**MIN** = minimum level

Top-up if the fluid does not reach at least the "**MIN**" reference mark.

## Topping up clutch fluid

### CAUTION

**FOR THE TOP-UP OF THE CLUTCH FLUID, CONTACT AN Official Moto Guzzi Dealer**

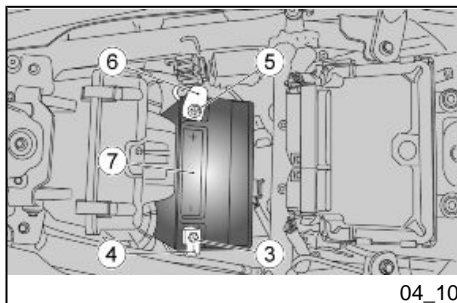


## Use of a new battery (04\_09, 04\_10)

- Make sure that the ignition switch is set to "OFF".
- Remove the saddle.
- Undo the screws (1) and remove the cover (2).
- Unscrew and remove the screw (3) of the negative terminal (-).
- Move the negative lead (4) aside.
- Unscrew and remove the screw (5) of the positive terminal (+).
- Move the positive lead (6) aside.
- Hold the battery (7) firmly and lift it out of its compartment perpendicularly to its position.
- Put the battery away on a level surface, in a cool and dry place.
- Refit the saddle.

**To install a new battery follow the operations described above but in reverse order.**



**CAUTION**

**UPON REFITTING, CONNECT THE LEAD TO THE POSITIVE TERMINAL (+) FIRST AND AFTERWARDS THE LEAD TO THE NEGATIVE TERMINAL (-).**



**CHECK THAT THE BATTERY LEADS AND TERMINALS ARE:**

- **IN GOOD CONDITION (NOT CORRODED OR COVERED BY DEPOSITS);**
- **COVERED BY NEUTRAL GREASE OR PETROLEUM JELLY.**



**REMOVING THE BATTERY RESETS THE DIGITAL CLOCK AND THE TRIP JOURNAL FUNCTIONS.**

**CAUTION**

**ONCE REMOVED, THE BATTERY MUST BE PUT AWAY IN A SAFE PLACE OUT OF THE REACH OF CHILDREN.**

**Checking the electrolyte level****WARNING**

**THIS VEHICLE IS EQUIPPED WITH A BATTERY THAT REQUIRES NO MAINTENANCE AND DOES NOT REQUIRED ANY TYPE OF INTERVENTION IF NOT AN OCCASIONAL CONTROL AND POSSIBLE CHARGING.**

## Charging the battery

- Remove the battery.
- Get an adequate battery charger.
- Set the battery charger for the recharge type indicated.
- Connect the battery to the battery charger.

### CAUTION



**WHEN RECHARGING OR USING THE BATTERY, BE CAREFUL TO HAVE THE ROOM ADEQUATELY AIRED. DO NOT BREATH GASES RELEASED WHEN THE BATTERY IS RECHARGING.**

Switch on the battery charger.

### Characteristic

#### CHARGE MODES

Recharge - Ordinary

Electric Current - 1.8A

Time - 8-10 hours

### Long periods of inactivity

If the vehicle is inactive longer than fifteen days, it is necessary to recharge the battery to avoid sulphation.

- Remove the battery and put it away in a cool and dry place.

In winter or when the vehicle is out of use for prolonged periods, check charge level frequently (about once a month) to prevent deterioration.

- Recharge it fully with an ordinary charge.

If the battery is still on the vehicle, disconnect the cables from the terminals.

#### **Checking and cleaning terminals and leads**

- Partially remove the battery from its housing.
- Check that the battery cable terminals and leads are in good conditions (not corroded or covered by deposits) and covered with neutral grease or petroleum jelly.

### **Fuses (04\_11, 04\_12, 04\_13)**

#### **CAUTION**

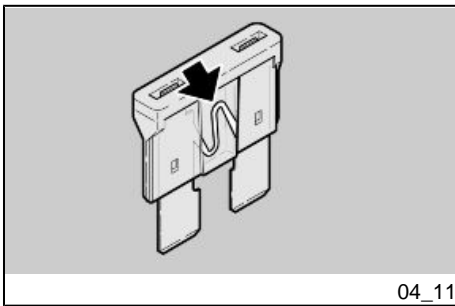


**DO NOT REPAIR FAULTY FUSES.**

**NEVER USE A FUSE THAT IS DIFFERENT THAN WHAT IS SPECIFIED TO PREVENT DAMAGES TO THE ELECTRICAL SYSTEM OR SHORT CIRCUITS, AND THE RISK OF FIRE.**

#### **NOTE**

**A FUSE THAT BLOWS FREQUENTLY MAY INDICATE A SHORT CIRCUIT OR OVERLOAD. IF THIS OCCURS, CONTACT AN Official Guzzi Dealer.**



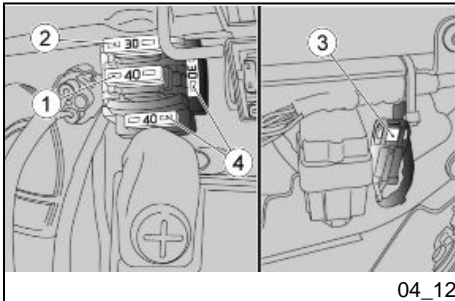
04\_11

**To check:**

- Set the ignition switch to 'OFF' to avoid an accidental short circuit.
- Remove the saddle.
- Remove the fuse box cover.
- Take out one fuse at a time and check if the filament is broken.
- Before replacing the fuse, find and solve, if possible, the reason that caused the problem.
- If the fuse is damaged, replace it with one of the same current rating.

**NOTE**

**IF THE SPARE FUSE IS USED, REPLACE WITH ONE OF THE SAME TYPE IN THE CORRESPONDING FITTING.**



04\_12

**Main fuses**

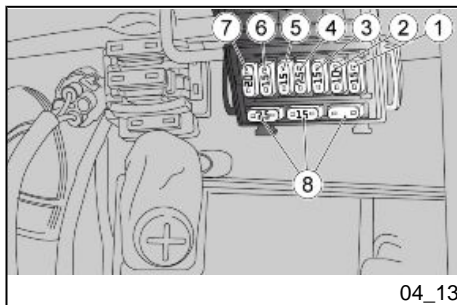
The main fuses are located in the central part of the motorcycle, under the rider saddle, on the right side.

1. Battery recharge (40 A).
2. Primary injection relay, key, position lights (30 A)
3. Thermal switch (10 A).

**NOTE**

**TWO FUSES ARE SPARE FUSES**

**(4).**



04\_13

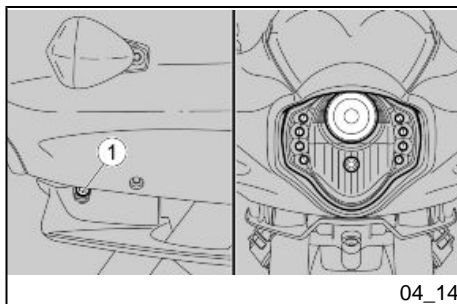
### Secondary fuses

The secondary fuses are located in the central part of the motorcycle, under the rider saddle, on the right side.

1. Low/high beam lights, brake lights, passing, fog lights (where provided), day-time running lights, hazard button lighting, horn (15 A).
2. Dashboard power supply, alarm, radio (10 A).
3. Positive under ECU key (15 A).
4. ECU permanent positive (7.5 A).
5. Coils, injectors, fuel pump (15 A).
6. Power outlet, anti-theft, GPS (15 A)
7. ABS power supply (20 A)

### NOTE

**THREE FUSES ARE SPARE FUSES (8).**



04\_14

### Lamps (04\_14, 04\_15, 04\_16, 04\_17)

### CAUTION

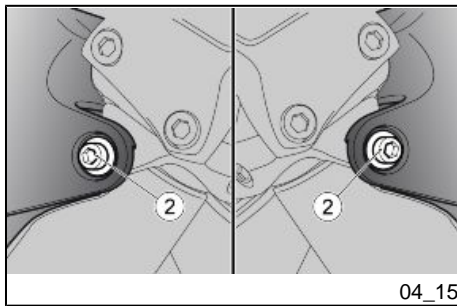


**BEFORE REPLACING A BULB, TURN THE IGNITION SWITCH TO «KEY OFF» AND WAIT A FEW MINUTES FOR THE BULB TO COOL OFF.**

**WEAR CLEAN GLOVES OR USE A CLEAN DRY CLOTH TO REPLACE THE BULB.**

**DO NOT LEAVE PRINTS ON THE BULB AS THIS MAY CAUSE IT TO OVERHEAT OR EVEN BLOW OUT. IF YOU TOUCH THE BULB WITHOUT WEARING GLOVES, CLEAN OFF PRINTS WITH ALCOHOL TO AVOID DAMAGING THE BULB.**

**DO NOT FORCE ELECTRICAL CABLES.**



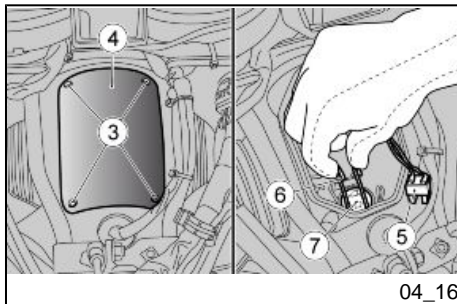
### Bulb layout

In the headlamp there are:

- LED daytime running lights (lateral)
- one low beam headlight bulb (upper);
- one high-beam headlight bulb (lower).

### CAUTION

**LOOSEN THE SCREW (1) BEFORE ACTING ON THE SCREWS (2).**



### Front headlamp bulb replacement

- Rest the vehicle on its stand.
- Remove the upper fixing screws (2) of the front light dashboard
- Turn the dashboard towards the front of the vehicle, unscrew the fixing screws (3) of the headlamp cover (4) and remove it

### High beam light bulb

- Disconnect the connector (5) from the high beam bulb
- Release the two ends of the retaining spring (6)
- Pull the bulb (7) out of its fitting and change it
- Install a bulb of the same type adequately

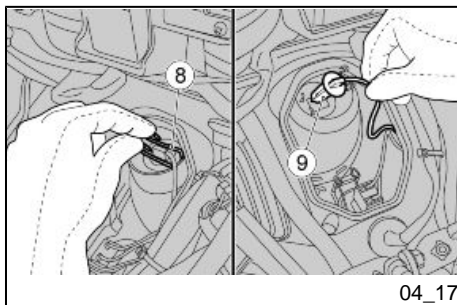
### Low beam light bulb

- Release the two ends of the retaining spring (8)
- Pull the bulb (9) out of its fitting and change it
- Install a bulb of the same type adequately

### CAUTION

**WHILE LOCKING THE DASHBOARD, TIGHTEN THE SCREW (1) ONLY AFTER TIGHTEN THE SCREWS (2).**

**TIGHTENING TORQUE: 10 Nm (7.38 lb ft)**

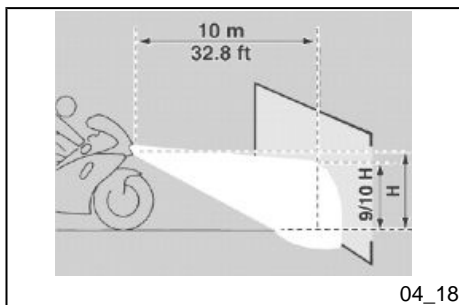


**NOTE**

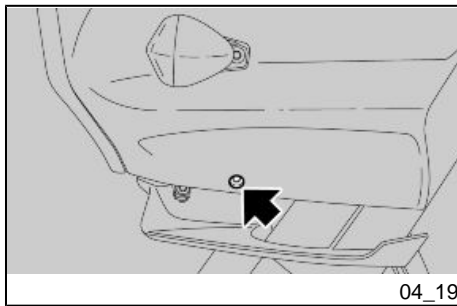
**INSERT THE BULBS INTO THE BULB HOLDER, MAKING SURE THE REFERENCE FITTINGS MATCH.**

**Headlight adjustment (04\_18, 04\_19)****NOTE**

**IN COMPLIANCE WITH LOCAL LEGAL REQUIREMENTS, SPECIFIC PROCEDURES MUST BE FOLLOWED WHEN CHECKING LIGHT BEAM ADJUSTMENT.**

**For a quick check of the correct direction of the front light beam:**

- Place the vehicle 10 m (32.81 ft) away from a vertical wall and make sure the ground is level.
- Turn on the low beam light, sit on the vehicle and check that the light beam projected to the wall is a little below the headlight horizontal straight line (about 9/10 of the total height).

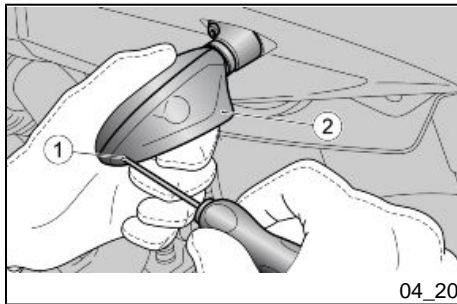


#### To carry out vertical adjustment of the light beam:

- Stand the motorcycle in a vertical position
- Loosen the screw on the left side of the projector
- Then turn the headlight until the beam is at the desired position

#### NOTE

**CHECK THAT THE LIGHT BEAM VERTICAL DIRECTION IS CORRECT.**



#### Front direction indicators (04\_20, 04\_21)

- Rest the vehicle on its stand.
- Loosen and remove screw (1).

#### NOTE

**REMOVE THE PROTECTION GLASS WITH CAUTION SO AS NOT TO BREAK THE FITTING TOOTH.**

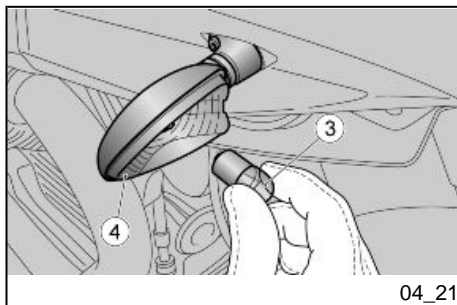
- Remove the protective glass (2).

#### CAUTION

**UPON REFITTING, POSITION THE PROTECTIVE GLASS CORRECTLY IN ITS POSITION.**

**TIGHTEN THE SCREW (1) CAREFULLY AND MODERATELY TO AVOID DAMAGING THE PROTECTIVE GLASS.**





- Press bulb (3) slightly and turn it anticlockwise.
- Pull the bulb (3) out of its fitting.

#### NOTE

**INSERT THE BULB IN THE BULB HOLDER SO THAT THE TWO GUIDING PINS COINCIDE WITH THEIR GUIDES ON THE BULB HOLDER.**

- Install a bulb of the same type adequately.

#### NOTE

**IF THE BULB HOLDER «4» IS STICKS OUT ITS FITTING, INSERT IT AGAIN CORRECTLY BY MATCHING THE BULB HOLDER RADIAL OPENING WITH THE SCREW SEAT.**

### Rear optical unit

#### CAUTION

**THE REAR LIGHT UNIT MUST BE CHECKED AND CHANGED BY AN Official Moto Guzzi Dealership**

## Rear turn indicators

### CAUTION

FOR DISASSEMBLY, VERIFICATION AND REPLACEMENT OF REAR INDICATORS PLEASE CONTACT AN Official Moto Guzzi Dealership

## Number plate light

### CAUTION

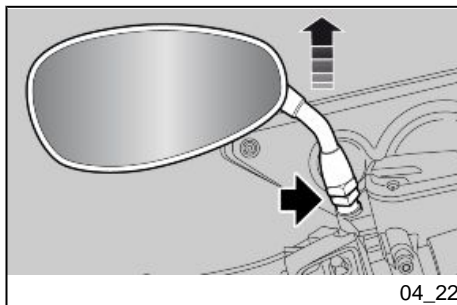
THE LICENCE PLATE LIGHT MUST BE REMOVED, CHECKED AND CHANGED BY AN Official Moto Guzzi Dealership

## Rear-view mirrors (04\_22, 04\_23)



DO NOT RIDE WITH REAR-VIEW MIRRORS INCORRECTLY SET.

ALWAYS CHECK THAT THE MIRRORS ARE ADJUSTED CORRECTLY BEFORE SETTING OFF.



04\_22

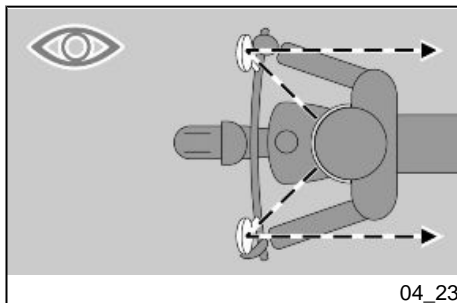
**Rear-view mirrors removal:**

- Rest the vehicle on its stand
- Loosen the locking nut
- Slide up and remove the complete rear-view mirror unit

Repeat the procedure to remove the other rear-view mirror, if necessary.



**UPON REFITTING AND BEFORE TIGHTENING THE LOCKING NUT, MAKE SURE THAT THE REAR VIEW MIRROR SUPPORT STEM IS ALIGNED WITH THE HANDLEBAR.**



04\_23

**Rear-view mirrors adjustment:**

- Get onto the bike in the riding position
- Turn the mirror, correctly adjusting the inclination

Repeat the procedure to adjust the other mirror.

- Make sure there is no dirt or mud

**Front and rear disc brake (04\_24, 04\_25)****CAUTION**

**A DIRTY DISC SMEARS THE PADS RESULTING IN POOR BRAKING.**

**REPLACE DIRTY PADS AND CLEAN AGAIN THE DIRTY DISC USING A TOP QUALITY DEGREASING PRODUCT.**

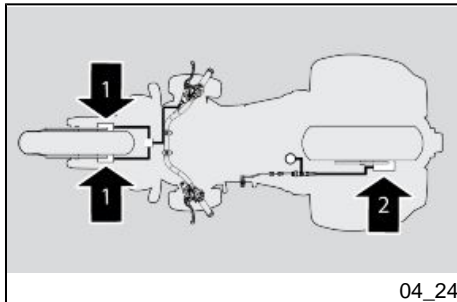
**CAUTION**

**TAKE YOUR VEHICLE TO AN Official Moto Guzzi Dealer TO HAVE THE FRONT WHEEL REMOVED.**

**CAUTION**



**CHECK BRAKE PADS FOR WEAR MAINLY BEFORE EACH RIDE.**

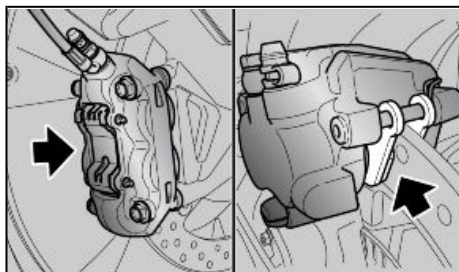


**To perform a quick pad wear check:**

- Rest the vehicle on its stand.
- Carry out a visual inspection of brake disc and pads as follows: prior to the front brake callipers (1); later from the left side of the motorcycle, between the side pannier and the wheel, for the rear brake calliper (2).

**CAUTION**

**EXCESSIVE WEAR OF THE FRICTION MATERIAL MAKES THE PAD METAL SUPPORT GET INTO CONTACT WITH THE DISC, WHICH RESULTS IN A METALLIC NOISE AND SPARKS IN THE CALLIPER; THEREFORE, BRAKING EFFICIENCY AND DISC SAFETY AND INTEGRITY ARE AT RISK.**



04\_25

If the friction material thickness (even of one front or rear pad) is reduced to a value of about **1.5 mm (0.059 in)** (or even if one of the wear indicators is not very visible), contact an **Official Moto Guzzi Dealer** to replace all the brake callipers.

### Periods of inactivity (04\_26)

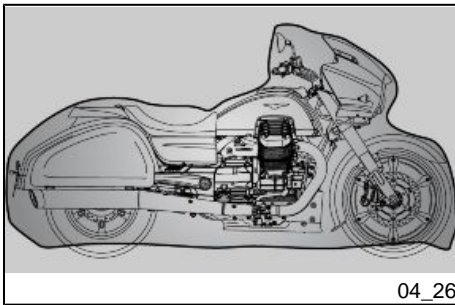
Take some measures to avoid the side effects of not using the scooter. Besides, it is necessary to carry out general repairs and checks before garaging the motorcycle as one can forget to do so afterwards.

Proceed as follows:

- Remove the battery.
- Wash and dry the motorcycle.
- Apply wax polish to painted and chromed surfaces.
- Inflate the tyres.
- Set the vehicle in a room with no heating or humidity, with minimum temperature variations and not exposed to sun rays.
- Wrap and tie a plastic bag around the exhaust pipe opening to keep moisture out.

#### CAUTION

**PLACE THE VEHICLE ON SUITABLE SUPPORTS TO KEEP THE TYRES OFF THE GROUND.**



Cover the vehicle but do not use plastic or waterproof materials.

#### CAUTION

**TO AVOID BATTERY DETERIORATION, FOLLOW THE PROCEDURE DESCRIBED FOR PROLONGED INACTIVITY.**

#### AFTER STORAGE

#### NOTE

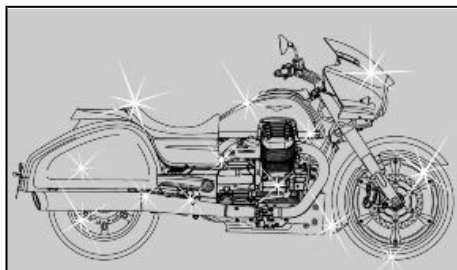
**TAKE THE PLASTIC BAGS OFF THE EXHAUST PIPE OPENING.**

- Uncover and clean the vehicle.
- Check the battery for correct charge and install it.
- Refill the fuel tank.
- Carry out the pre-ride checks.

#### CAUTION



**AS A TEST, RIDE THE MOTORCYCLE FOR A FEW KILOMETRES AT A MODERATE SPEED AND AWAY FROM TRAFFIC AREAS.**



04\_27

## Cleaning the vehicle (04\_27, 04\_28)

Moto Guzzi recommends using quality products for cleaning the vehicle. The use of unsuitable products can damage vehicle components. For cleaning do not use solvents such as "nitro thinner", "cold cleaning agents", or similar fuels, or cleaning products that contain alcohol.

### WASHING THE MOTORCYCLE

Moto Guzzi recommends softening with water and then carefully removing the insects and stubborn stains before washing the vehicle.

To prevent stains, do not wash the motorcycle immediately after exposure to sunlight, and do not wash it in the sun.

If the vehicle is used during the winter months, be sure to frequently wash the motorcycle. To remove anti-icing salt sprayed on roads in the winter, wash the motorcycle with cold water immediately after use.



**USE OF HOT WATER INTENSIFIES THE EFFECT OF THE SALT. USE ONLY PLENTY OF COLD WATER TO WASH AND REMOVE ANTI-ICING SALT**



**USE OF HIGH PRESSURE WASHING SYSTEMS (OR STEAM CLEANERS) CAN DAMAGE THE SEALS, OIL SEALS, BRAKING SYSTEM, ELECTRICAL SYSTEM AND THE SADDLE. DO NOT USE STEAM OR HIGH PRESSURE CLEANING SYSTEMS. DO NOT USE STEAM OR HIGH PRESSURE CLEANING SYSTEMS.**

### CLEANING OF SENSITIVE PARTS

#### BODYWORK

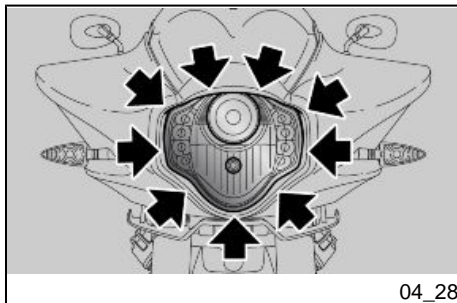
To keep the motorcycle bright, wash it regularly, especially if used in areas with high levels of pollution or mud. Aggressive stains from tree resins, gasoline, oil, brake fluid or bird excrement in general.

must be removed immediately, otherwise permanent stains on the paint can appear. After washing is easy to identify marks and residual stains, remove these from the bodywork using a soft cloth, of a non-abrasive polish brand. Periodic care, a thorough cleaning of the bodywork preserves the aesthetic quality of the motorcycle over the long term.

## PLASTIC COMPONENTS



**IF THE PLASTIC COMPONENTS ARE CLEANED USING AGGRESSIVE AGENTS, THE SURFACE MAY BE DAMAGED. DO NOT USE CLEANING PRODUCTS CONTAINING ALCOHOL, SOLVENTS OR THAT ARE ABRASIVE FOR THE CLEANING OF PLASTIC PARTS. ROTARY BRUSHES OR SPONGES WITH HARD SURFACES CAN MAKE SCRATCHES**



### FRONT HEADLIGHT

Do not use products containing aggressive agents during use or during washing, due to the structure of the bottom bracket cup, under the frame can be detected water or dirt.

Since water outside the headlight will dry due to the heat and ventilation during use of the motorcycle, in case of persistence use compressed air at a distance of 10 cm from the headlight.

### NOTE

**IN CASE OF MOTORCYCLE WASH OR IN CASE OF BOUNCING VARIATIONS, THE FRONT PROJECTOR MIGHT MIST UP. THE BEHAVIOUR IS TOTALLY NORMAL AND THE CONDENSED WATER WILL QUICKLY DISAPPEAR BY USING THE LOW BEAM AND HIGH BEAM FUNCTION**





TO CLEAN THE HEADLIGHTS USE A SPONGE SOAKED IN WATER AND MILD DETERGENT, RUBBING THE SURFACE GENTLY AND RINSING FREQUENTLY WITH PLENTY OF WATER. DO NOT POLISH MATT-PAINTED SURFACES WITH POLISHING PASTE. THE VEHICLE SHOULD NEVER BE WASHED IN DIRECT SUNLIGHT, ESPECIALLY DURING SUMMER, OR WITH THE BODYWORK STILL HOT AS THE CAR SHAMPOO CAN DAMAGE THE PAINTWORK IF IT DRIES BEFORE BEING RINSED OFF.

#### CHROME PARTS AND POLISHED METAL



TREAT THE PARTS MADE OF CHROME, ALUMINIUM OR POLISHED STEEL IN A SPECIAL MANNER. WASH THEM WITH PLENTY OF WATER AND CAR SHAMPOO, POLISH AND REGULARLY BRIGHTEN THEM WITH DEDICATED PASTE, PROTECT THEM WITH SUITABLE ACID-FREE PRODUCTS (E.G. VASELINE)

#### RADIATOR



IF THE VEHICLE IS USED IN WINTER ON ROADS TREATED WITH SALT, WASH THE RADIATOR FREQUENTLY TO PREVENT COSMETIC DAMAGE TO THE FINISH AND THE RISK OF ENGINE OVERHEATING. WASH WITH PLENTY OF WATER. WASH WITH A LOW PRESSURE JET OF WATER, USING A GARDEN HOSE FOR EXAMPLE.

#### RUBBER PARTS

Clean the rubber parts using water and mild shampoo (brand-name, suitable for car bodies)



**THE USE OF SILICONE SPRAY TO CLEAN THE RUBBER SEALS MAY CAUSE DAMAGE. DO NOT USE OTHER PRODUCTS CONTAINING SILICON FOR CLEANING THE MOTORCYCLE**

**Clean the motorcycle frequently if exposed to adverse conditions, such as:**

- Air pollution (cities and industrial areas).
- Salinity and humidity in the atmosphere (seashore areas, hot and wet weather).
- Special environmental/seasonal conditions (use of salt, anti-icing chemical products on the roads in winter).
- Always clean off any smog and pollution residue, tar stains, insects, bird droppings, etc. from the bodywork.
- Avoid parking the vehicle under trees. During some seasons, resins, fruits or leaves containing aggressive chemical substances that may damage the paintwork may fall from trees.

**CAUTION**



**BEFORE WASHING THE VEHICLE, COVER THE ENGINE AIR INTAKES AND THE EXHAUST PIPES.**

**CAUTION**



**CLEAN THE INSTRUMENT PANEL WITH A SOFT CLOTH MOISTENED WITH WATER.**

**CAUTION**

**BEFORE WASHING THE WINDSCREEN, SOFTEN THE DIRT WITH WATER. THEN CLEAN THE INSTRUMENT PANEL WITH A SOFT CLOTH MOISTENED WITH WATER.**

**CAUTION**

**AFTER CLEANING YOUR MOTORCYCLE, BRAKING EFFICIENCY MAY BE TEMPORARILY AFFECTED DUE TO THE PRESENCE OF WATER ON THE FRICTION SURFACES OF THE BRAKING CIRCUIT. ALLOW LONGER BRAKING DISTANCES TO PREVENT ACCIDENTS. BRAKE REPEATEDLY TO RESTORE NORMAL OPERATION. CARRY OUT THE PRE-RIDE CHECKS.**

To remove dirt and mud accumulated on painted surfaces, wet the soiled areas thoroughly with a low-pressure water jet, then remove dirt and mud with a soft car body sponge soaked abundantly in a solution of car body shampoo in water (2 - 4% shampoo dissolved in water). Then rinse with plenty of water, and dry with a chamois leather. To clean the engine outer parts, use degreasing detergent, brushes and old cloths. Wash anodised or painted aluminium parts with neutral soap and water. Using aggressive detergents may damage the surface treatment of these components.

**CAUTION**

**NEVER USE CLOTHS SOAKED IN PETROL, DIESEL OIL OR KEROSENE FOR CLEANING THE PAINTED OR PLASTIC SURFACES SO AS NOT TO DAMAGE THE LUSTRE FINISH OR ALTER THE MECHANICAL PROPERTIES.**

**CAUTION**

**DO NOT USE WATER (OR LIQUIDS) AT TEMPERATURES OVER 40°C (104°F) WHEN CLEANING THE VEHICLE PLASTIC PARTS. DO NOT AIM HIGH PRESSURE AIR/WATER JETS OR STEAM JETS DIRECTLY ON THESE COMPONENTS. DO NOT USE ALCOHOL OR SOLVENTS TO CLEAN ANY RUBBER OR PLASTIC SADDLE COMPONENTS USE WATER AND MILD SOAP.**

**CAUTION**

**DO NOT USE SOLVENTS OR PETROL BY-PRODUCTS (ACETONE, TRICHLOROETHYLENE, TURPENTINE, PETROL, THINNERS) TO CLEAN THE SADDLE. USE INSTEAD DETERGENTS WITH SURFACE ACTIVE AGENTS NOT EXCEEDING 5% (NEUTRAL SOAP, DEGREASING DETERGENTS OR ALCOHOL).**

**DRY THE SADDLE WELL AFTER CLEANING.**



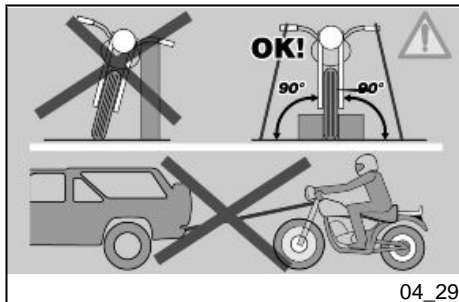
**WHEN USING A SYSTEM OF PRESSURE WASHING (AFTER CHECKING THAT ANY DETERGENTS ARE COMPATIBLE WITH THE MOTORCYCLE FINISH), KEEP A DISTANCE OF AT LEAST ONE METRE.**



**WHEN USING A SYSTEM OF HIGH PRESSURE WASHER FOR CLEANING PANNIERS, KEEP A DISTANCE OF AT LEAST ONE METRE BETWEEN THE SOURCE OF THE JET AND THE PANNIER TO PREVENT POSSIBLE LEAKS.**



**CLEAN THE VEHICLE IMMEDIATELY WITH COLD WATER AFTER RIDING ON A ROAD TREATED WITH SALT: SALT IS HIGHLY CORROSIVE.**



## Transport (04\_29)

### NOTE



**BEFORE TRANSPORTING THE VEHICLE, IT IS NECESSARY TO EMPTY THE FUEL TANK ADEQUATELY, CHECKING THAT THEY ARE DRY.**

**DURING TRANSPORT, THE VEHICLE SHOULD BE UPRIGHT AND SECURELY ANCHORED AND SHOULD HAVE THE FIRST GEAR ENGAGED SO AS TO AVOID POSSIBLE FUEL, OIL OR COOLANT LEAKS.**

**IN CASE OF FAILURE, DO NOT TOW THE VEHICLE BUT CONTACT A ROAD ASSISTANCE SERVICE INSTEAD TO HAVE THE INFLAMMABLE FLUIDS DRAINED .**



# MGX-21



**Chap. 05**  
**Technical data**

## **WEIGHT AND DIMENSIONS**

Max. length	2,560 mm (100.79 in)
Maximum width at handlebar	920 mm (36.22 in)
Maximum height	1,275 mm (50.20 in)
Maximum high with accessories	1,390 mm (54.72 in)
Wheelbase	1,700 mm (66.93 in)
Kerb weight	356 kg (784.84 lb)

## **ENGINE**

Type	traverse-mounted four-stroke V 90°	twin-cylinder
Cylinder number	2	
Engine capacity	1,380 cm <sup>3</sup> (84.21 cu in)	
Bore / stroke	104 x 81.2 mm (4.09 x 3.20 in)	
Compression ratio	10.5 +/- 0.5: 1	
Starter	electric	
Engine idle speed	1,100 +/- 100 rpm (rpm)	



Centrifugal	hydraulically controlled single-plate dry clutch with incorporated flexible coupling
Lubrication	Pressure-fed, controlled by valves and trochoidal pump
Air filter	cartridge-type dry filter
Water cooling,	air and oil cooled with independent trochoidal pump and oil pressure control valve
Timing diagram	single overhead camshaft with roller tappets and rocker-operated valves

### **GEAR**

Type	mechanical, 6 speeds with foot lever on the left hand side of the engine
------	--

### **CAPACITIES**

Fuel (reserve included)	20.5 +/- 0.5 l (4.51 +/- 0.11 UK gal) (5.41 +/- 0.13 gal US)
Fuel reserve	5 l (1.10 UK gal) (1.32 gal US)

Engine oil	Oil change and oil filter replacement: 4,010 cm <sup>3</sup> (244.71 cu in)
Gearbox oil	430 cm <sup>3</sup> (26.24 cu in) in case of replacement
Gearbox oil	500 cm <sup>3</sup> (30.51 cu in) in case of overhaul
Transmission oil	250 cm <sup>3</sup> (15.26 cu in)
Seats	2
Maximum carrying load	551 kg (1,214.75 lb) (rider + passenger + luggage)

### **TRANSMISSION**

Primary drive	Helical gears, ratio 26/35 = 1:1.346
Gear ratios, 1st gear	17/38 = 1:2.235
Gear ratios, 2nd gear	20/34 = 1:1.700
Gear ratios, 3rd gear	23/31 = 1:1.347
Gear ratios, 4th gear	26/29 = 1:1.115
Gear ratios, 5th gear	31/30 = 1:0.967
Gear ratios, 6th gear	30/24 = 1:0.800

---

Final drive	with cardan shaft and bevel gear, ratio: $10/36 / = 1 :3.600$
-------------	--

---

### **FUEL SYSTEM**

Fuel system	Electronic injection Marelli (IAW 7SM2)
-------------	--

Venturi	diameter: 52 mm (2.05 in)
---------	---------------------------

Fuel	Unleaded petrol max E10 (95 RON)
------	-------------------------------------

### **CHASSIS**

Type	Tubular made of steel, closed double cradle, with elastokinematic engine mounting system for vibration isolation.
------	--

Headstock angle	32°
-----------------	-----

---

## **SUSPENSIONS**

Front	44.8 mm (1.76 in) diameter hydraulic telescopic fork with radial brake calliper mounting bracket.
Front wheel travel	107.7 mm (4.24 in)
Rear	Swingarm with dual shock absorbers adjustable in the preload spring
Rear wheel travel	116 mm (4.57 in)

---

## **BRAKES**

Front	Ø 320-mm (12.60 in) stainless steel double floating disc, radial callipers with 4 opposed pistons.
Rear	Ø 282-mm (11.10 in) stainless steel disc, floating calliper with 2 different pins.

---

## **WHEEL RIMS**

Type	Alloy wheels for tubeless tyres
------	---------------------------------

Front wheel	3,50"x 21"
Rear wheel	5.50" x 16"

### **TYRES**

Tyres	Dunlop Elite 3
Front	120/70 R21 62V
Inflation pressure (front)	2.5 bar (250 Kpa) (36.3 PSI)
Inflation pressure with passenger (front)	2.5 bar (250 Kpa) (36.3 PSI)
Rear	180/60 R16 80H
Inflation pressure (rear)	2.7 bar (270 Kpa) (39.2 PSI)
Inflation pressure with passenger (rear)	2.7 bar (270 Kpa) (39.2 PSI)

### **SPARK PLUGS**

Spark plug	NGK LMAR8F
Electrode gap	0.6 - 0.7 mm (0.024 - 0.028 in)
Resistance	5 kOhm

## **ELECTRICAL SYSTEM**

Battery	YTX20-BS 12 V - 18 Ah
Alternator (permanent magnet type)	12 V - 550 W
Main fuses	40- 30- 10A
Secondary fuses	15 (4) - 10 - 20 - 7.5 A
Front daylight running lights	LED
(Halogen) low beam light	12V - 55W / H3
(Halogen) high beam light	12V - 55W / H7
Front turn indicator light	12 V - 10 W (orange RY 10 W bulb)
Tail lights /stop lights	LED
Supplementary headlamps (if fitted)	LED
Dashboard lighting	LED
Licence plate light	LED
Cruise control warning light	LED
ABS Warning Light	LED
MGCT warning light	LED
Turn indicator warning light	LED

Fuel reserve warning light	LED
High beam warning light	LED
Neutral gear warning light	LED
General alarm warning lamp	LED
MI warning light	LED
Stored radio stations indicator light	LED
USB indicator light	LED
Bluetooth indicator light	LED





# MGX-21



**Chap. 06**  
**Programmed**  
**maintenance**



## Scheduled maintenance table (06\_01)

Correct maintenance is fundamental for ensuring the longevity of your vehicle and maintaining optimum function and performance.

For this purpose, Moto Guzzi has formulated a series of checks and scheduled services (at the owner's expense), are summarised in the table given in the following page. We recommend having any minor faults resolved immediately by an **Authorised Moto Guzzi Dealer**, without waiting until the next scheduled service interval.

Services must be performed as soon as the specified mileage and time intervals are reached. Services must be performed punctually at the correct intervals to maintain the validity of the warranty. See the "Warranty Booklet" for all other information concerning the applicability of the Warranty and on performing "Scheduled Maintenance" correctly.

### NOTE

**CARRY OUT MAINTENANCE OPERATIONS AT HALF THE INTERVALS SPECIFIED IF THE VEHICLE IS USED IN PARTICULAR RAINY OR DUSTY CONDITIONS, OFF ROAD OR FOR TRACK USE.**

I: INSPECT AND CLEAN, ADJUST, LUBRICATE OR REPLACE IF NECESSARY

C: CLEAN, R: REPLACE, A: ADJUST, L: LUBRICATE

(1) Check and clean and adjust or replace, if necessary, before every journey.

(2) Replace every 2 years or 20,000 Km (12,427 mi).

(3) Replace every 4 years.

(4) Check at each engine start.

(5) Periodic lubrication of the stand with spray grease is recommended after particularly hard use (dirt from salt, dust, etc.) or after long periods of inactivity.

(6) Lubricate if you are riding in the rain, on wet roads or after the vehicle has been washed.

(7) Replace at whichever of the following occurs first: 40,000 km (24,854 mi) or 4 years

### SCHEDULED MAINTENANCE TABLE

km x 1,000 (mi x 1,000)	1.5 (0.9)	10 (6.2)	20 (12.4)	30 (18.6)	40 (24.9)	50 (31.1)	60 (37.3)	70 (43.5)	80 (49.7)
Exhaust pipe flange fixing bolts	I		I		I		I		I
Spark plugs		I	R	I	R	I	R	I	R
Stand (5)		I	I	I	I	I	I	I	I
Controls (4)	I	I	I	I	I	I	I	I	I
Generator belt						R			
Steering bearings and steering clearance	I	I	I	I	I	I	I	I	I
Wheel bearings		I	I	I	I	I	I	I	I
Diagnosis by tool	I	I	I	I	I	I	I	I	I
Brake discs	I	I	I	I	I	I	I	I	I
Air filter		R	R	R	R	R	R	R	R
Engine oil filter	R	R	R	R	R	R	R	R	R
Vehicle general operation	I	I	I	I	I	I	I	I	I
Braking systems	I	I	I	I	I	I	I	I	I
Light circuit	I	I	I	I	I	I	I	I	I
Safety switches	I		I		I		I		I
Brake fluid (2)	I	I	R	I	R	I	R	I	R

<b>km x 1,000 (mi x 1,000)</b>	<b>1.5 (0.9)</b>	<b>10 (6.2)</b>	<b>20 (12.4)</b>	<b>30 (18.6)</b>	<b>40 (24.9)</b>	<b>50 (31.1)</b>	<b>60 (37.3)</b>	<b>70 (43.5)</b>	<b>80 (49.7)</b>
Clutch fluid (2)	I	I	I	I	I	I	I	I	I
Gearbox oil	R		R	R	R	R	R	R	R
Fork oil (7)					R				R
Engine oil	R	R	R	R	R	R	R	R	R
Final drive oil						R			
Clutch lever pin (6)	L	L	L	L	L	L	L	L	L
Tyres - pressure / wear (1)	I	I	I	I	I	I	I	I	I
Valve clearance adjustment	A	A	A	A	A	A	A	A	A
Wheels	I	I	I	I	I	I	I	I	I
Bolts and nuts tightening	I	I	I	I	I	I	I	I	I
Battery terminals tightening	I		I		I		I		I
Suspension	I		I		I		I		I
Filter box drainage tube		I	I	I	I	I	I	I	I
Fuel lines (3)		I	I	I	I	I	I	I	I
Brake lines (3)		I	I	I	I	I	I	I	I
Brake pad wear (1)	I	I	I	I	I	I	I	I	I

**Table of recommended products (06\_02)**

**Piaggio & C. S.p.A.** prescribes **eni** products for the scheduled maintenance of its vehicles



06\_02

**RECOMMENDED PRODUCTS TABLE**

<b>Product</b>	<b>Description</b>	<b>Specifications</b>
ENI i-RIDE PG RACING 10W-60	Engine oil	SAE 10W - 60. As an alternative for recommended oils, top-branded oils that meet or exceed the requirements of CCMC G-4 A.P.I. SG specifications can be used.
AGIP GEAR SAE 80 W 90	Transmission oil	API GL-4
AGIP GEAR MG/S SAE 85 W 90	Gearbox oil	API GL-5
AGIP FORK 7.5W	Fork oil	SAE 7.5W
AGIP GREASE SM2	Lithium grease with molybdenum for bearings and other points to lubricate	NLGI 2
Neutral grease or petroleum jelly.	Battery poles	
AGIP BRAKE 4	Brake / Clutch fluid	Synthetic fluid SAE J 1703 -FMVSS 116 - DOT 3/4 - ISO 4925 - CUNA NC 956 DOT 4



# MGX-21



**Chap. 07**  
**Special fittings**

## Accessories index

For this vehicle, dedicated accessories and clothing are available. For additional info please refer to your dealer or visit our site:

[www.motoguzzi.it](http://www.motoguzzi.it)



# TABLE OF CONTENTS

## A

ABS: 48  
Accessories: 128  
Advanced functions: 32  
Air filter: 86  
Alarms: 27

## B

Battery: 11, 88, 90  
Brake: 11, 61, 86, 99  
Brake pedal: 61

## C

Clutch: 11, 61, 88  
Clutch fluid: 11, 88  
Clutch lever: 61

## D

Disc brake: 99  
Display: 22

## E

Engine oil: 10, 80–82  
Engine stop: 45

## F

Fork: 60  
Fuel: 8  
Fuses: 91

## G

Gearbox oil: 10, 83

## H

Headlight: 95  
Horn: 41

## I

Identification: 52  
Instrument panel: 19

## M

Maintenance: 79, 121, 122  
Maintenance Table: 122  
Mirrors: 98

## O

Oil filter: 82

## R

rear-view mirrors: 98  
Recommended products:  
125

## S

Saddle: 51  
Scheduled maintenance:  
122  
Shock absorbers: 60  
Spark plug: 86  
Stand: 71

Start-up: 45  
Stop switch: 45

## T

Technical data: 111  
Turn indicators: 98  
Tyres: 83

## U

Use: 55, 88

## W

Warning lights: 9



#### THE VALUE OF SERVICE

As a result of continuous updates and specific technical training programmes for Moto Guzzi products, only **Moto Guzzi** Official Network mechanics know this vehicle fully and have the specific tools necessary to carry out maintenance and repair operations correctly.

The reliability of the vehicle also depends on its mechanical conditions. Checking the vehicle before riding it, its regular maintenance and the use of **original Moto Guzzi spare parts** only are essential factors!

For information on the nearest **Official Dealer and/or Service Centre** consult our website:

[www.motoguzzi.com](http://www.motoguzzi.com)

Only by requesting Moto Guzzi original spare parts can you be sure of purchasing products that were developed and tested during the actual vehicle design stage. All Moto Guzzi original spare parts undergo quality control procedures to guarantee reliability and durability.

The descriptions and images in this publication are given for illustrative purposes only and are not binding.

While the basic characteristics as described and illustrated in this booklet remain unchanged, Piaggio & C. S.p.A. reserves the right, at any time and without being required to update this publication beforehand, to make any changes to components, parts or accessories, which it considers necessary to improve the product or which are required for manufacturing or construction reasons.

Not all versions/models shown in this publication are available in all countries. The availability of individual versions should be checked with the Official Moto Guzzi sales network.

The Moto Guzzi brand is owned by Piaggio & C. S.p.A.

© Copyright 2016 - Piaggio & C. S.p.A. All rights reserved. Reproduction of this publication in whole or in part is prohibited.

Piaggio & C. S.p.A. Viale Rinaldo Piaggio, 25 - 56025 PONTEDERA (PI), Italy

[www.piaggio.com](http://www.piaggio.com)